

EGE SERIES



60mm

✓ Glass groove drainage and ventilation through special channels.

✓ Glazing beads make assembly easy and ensure an aesthetic appearance.

✓ 2.7mm thick profile outer walls.

✓ The possibility of applying the insulation glass 4.12.4.

✓ Profile-adapted stable steel reinforcement is used inside the frame and the sash for high stability and security.

✓ 4 chamber profile provides high degree of thermal and acoustic insulation.

✓ Sturdy curves and slopes ensure optimum water drainage.

✓ TPE seal built-in casing saves assembly time.

✓ 43 optical brightness and whiteness.

"Quality has never been a coincidence."

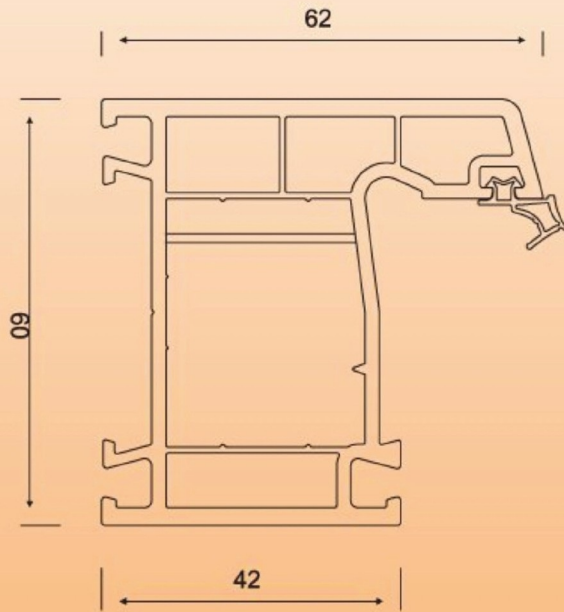
www.winstar.com.tr

www.winstar.com.tr

60mm

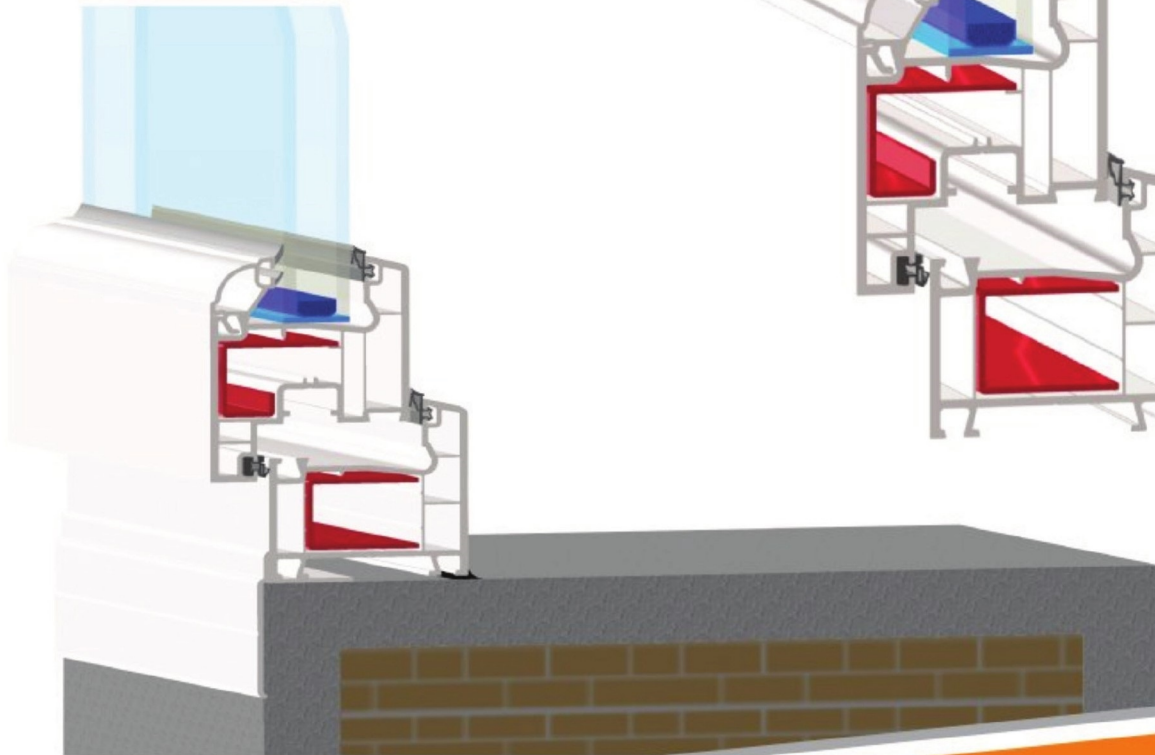
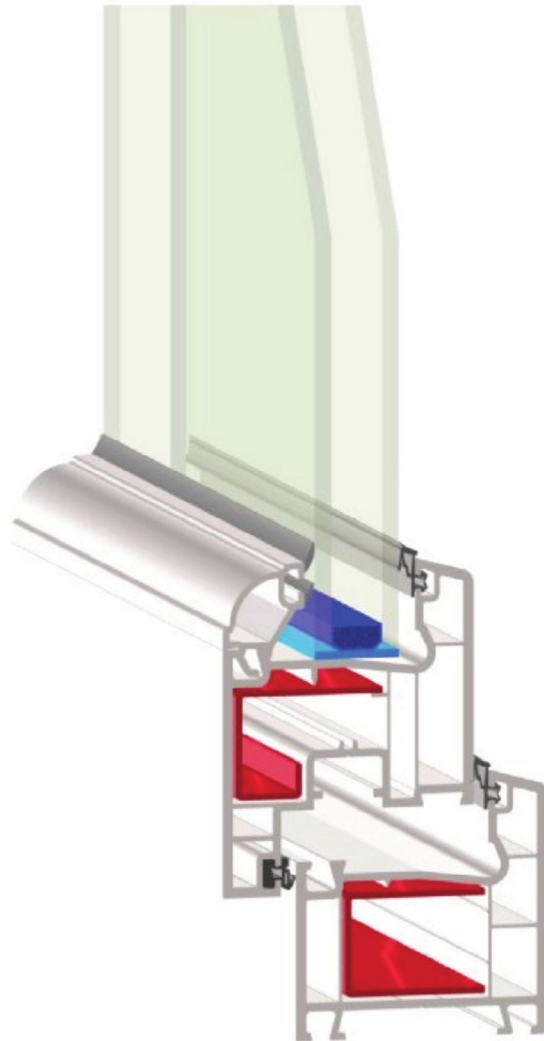
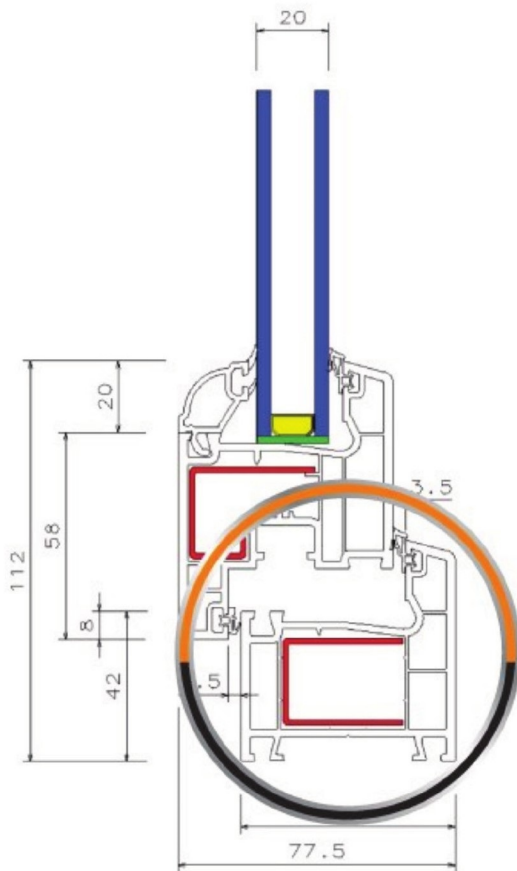
EGE SERIES / Frame profile

(60 mm) - KOD: ES 001
1,050 kg / 1 mt (± 0,2)



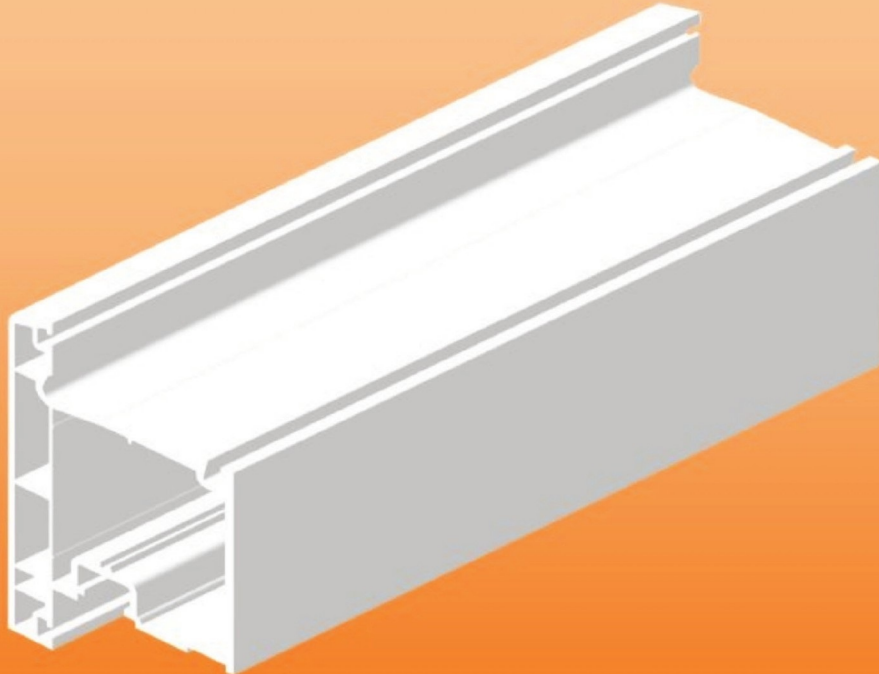
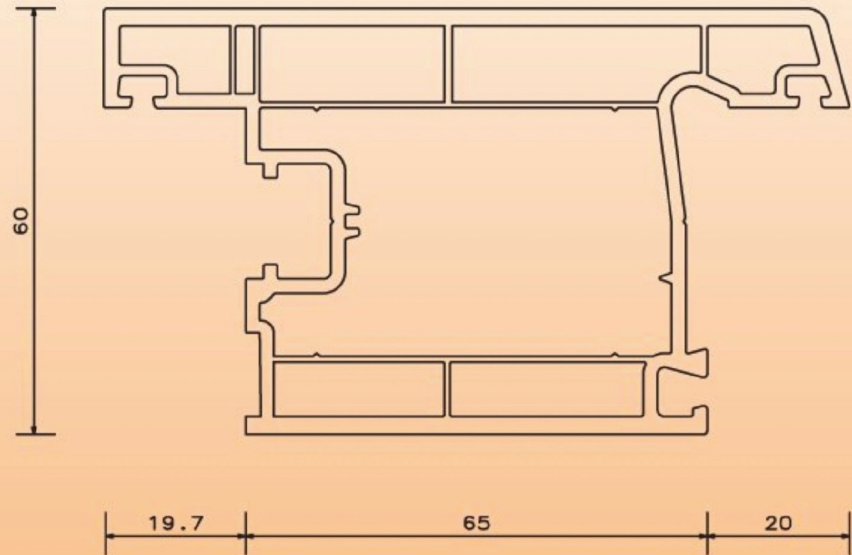
EGE SERIES / Frame profile

(60 mm) - KOD: ES 001



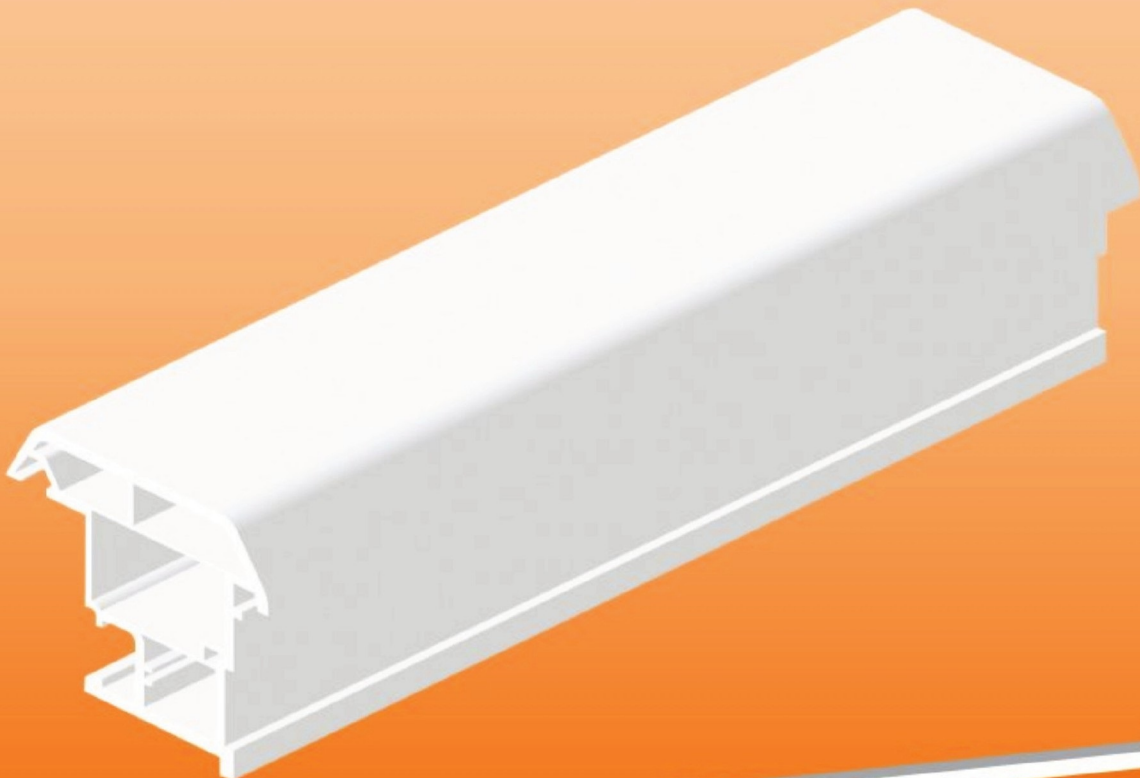
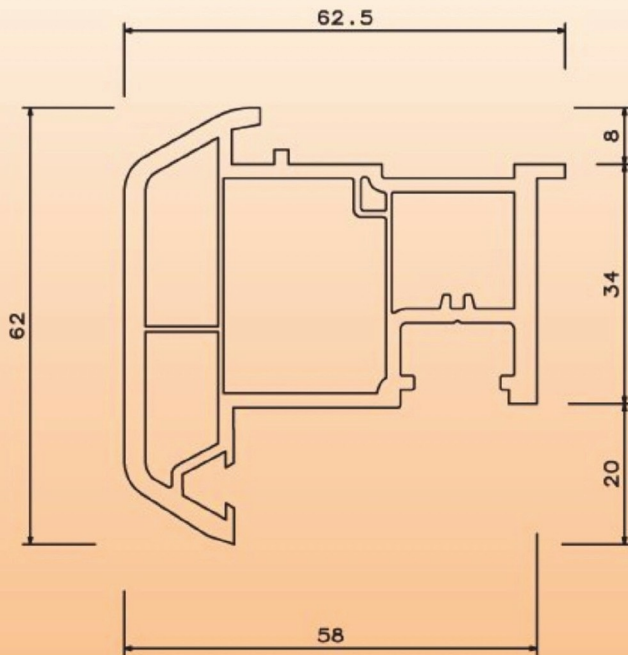
EGE SERIES / Outward door sash profile

(60 mm) - KOD: ES 005
1,400 kg / 1 mt (± 0,2)



EGE SERIES / Movable mullion profile

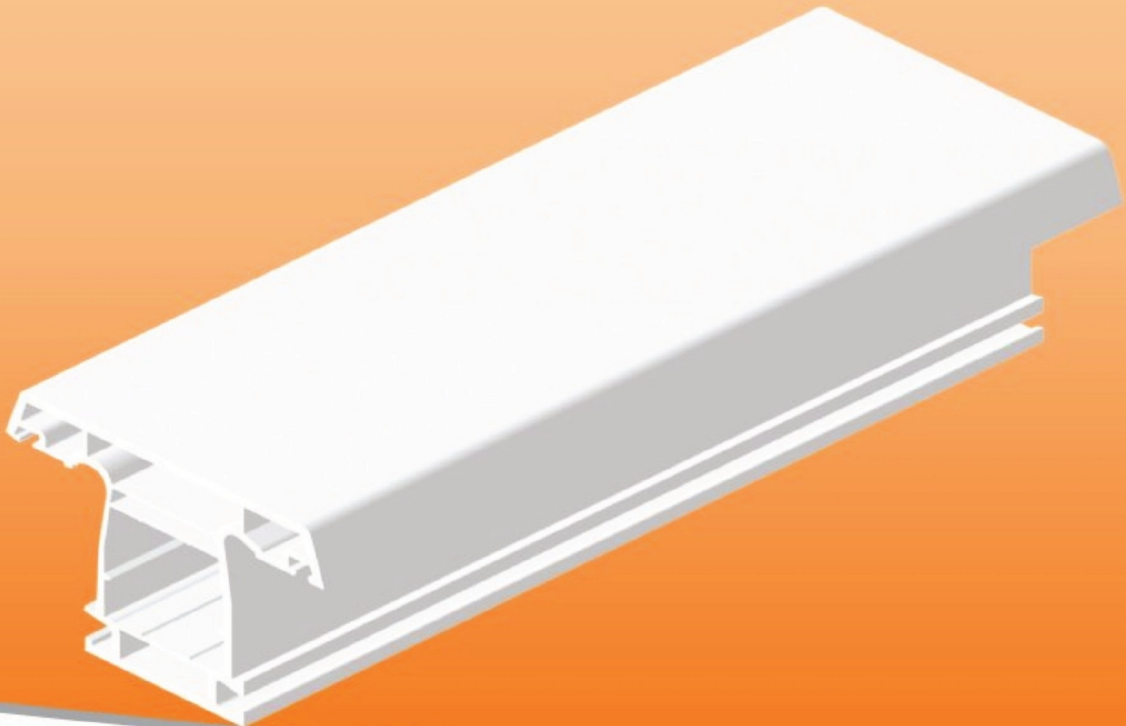
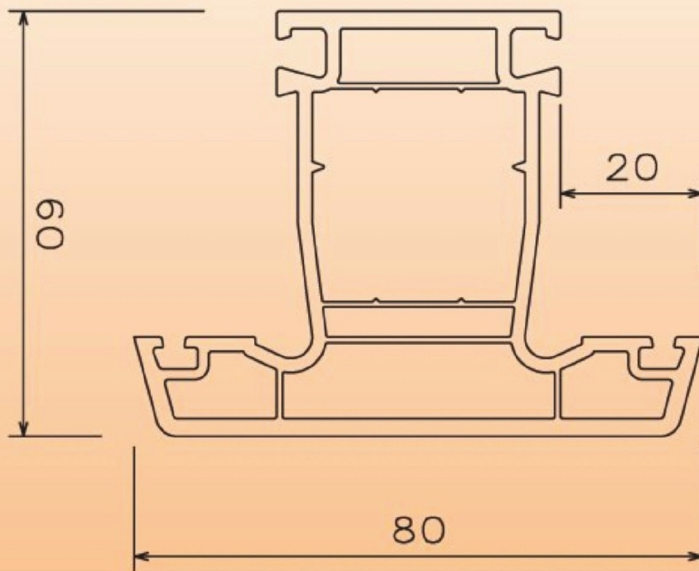
(60 mm) - KOD: OP 001
0,850 kg / 1 mt (± 0,2)



EGE SERIES / Mullion profile

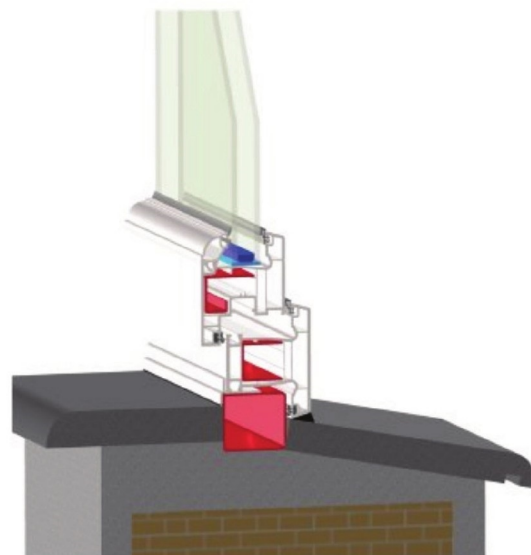
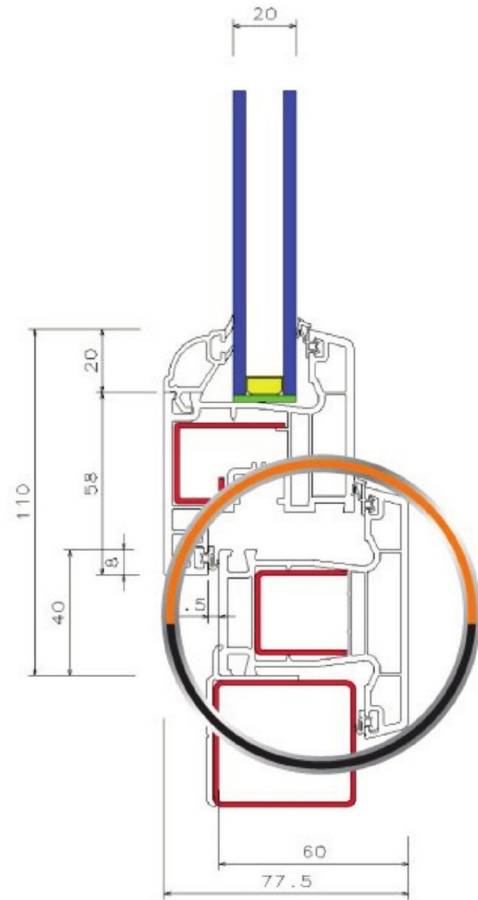
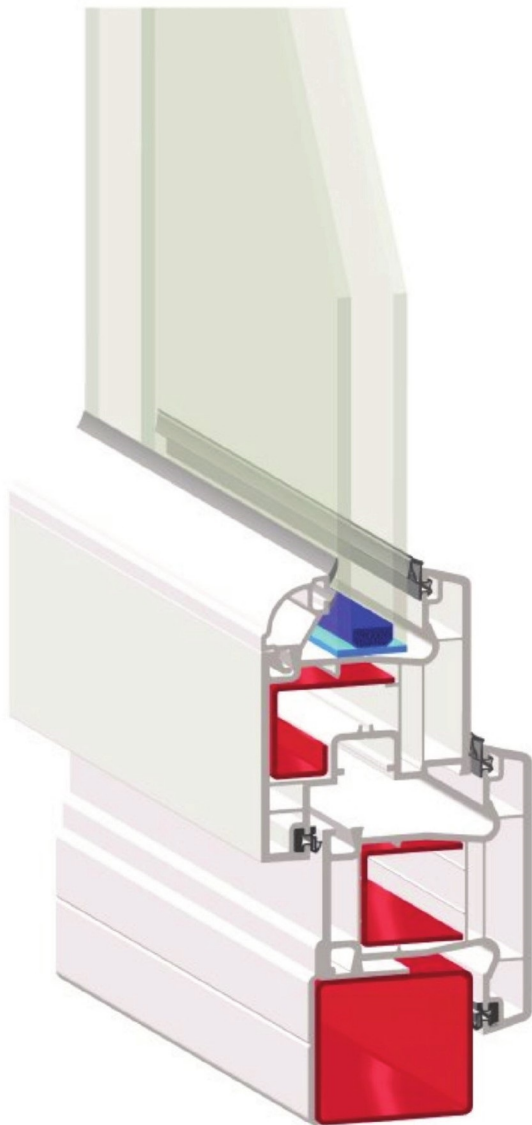
(60 mm) - KOD: ES 002

1,150 kg / 1 mt (± 0,2)



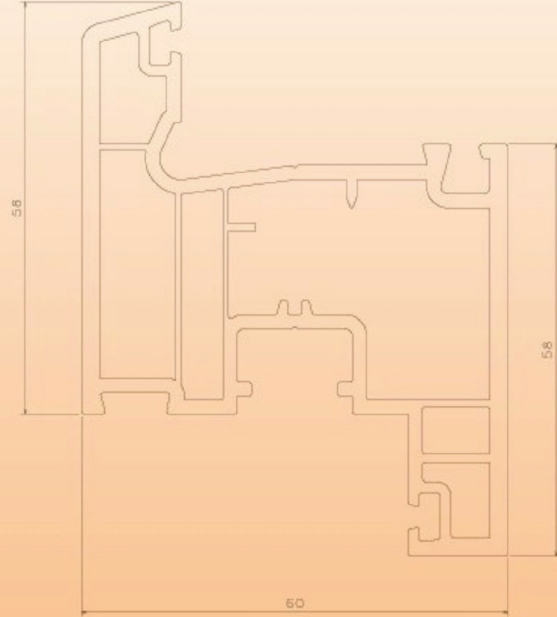
EGE SERIES / Mullion profile

(60 mm) - KOD: ES 002

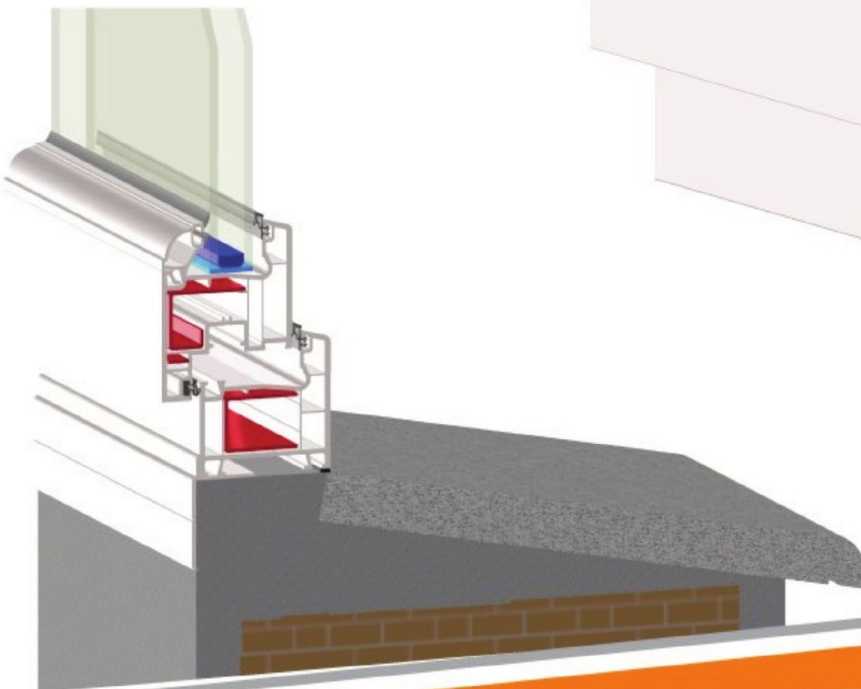
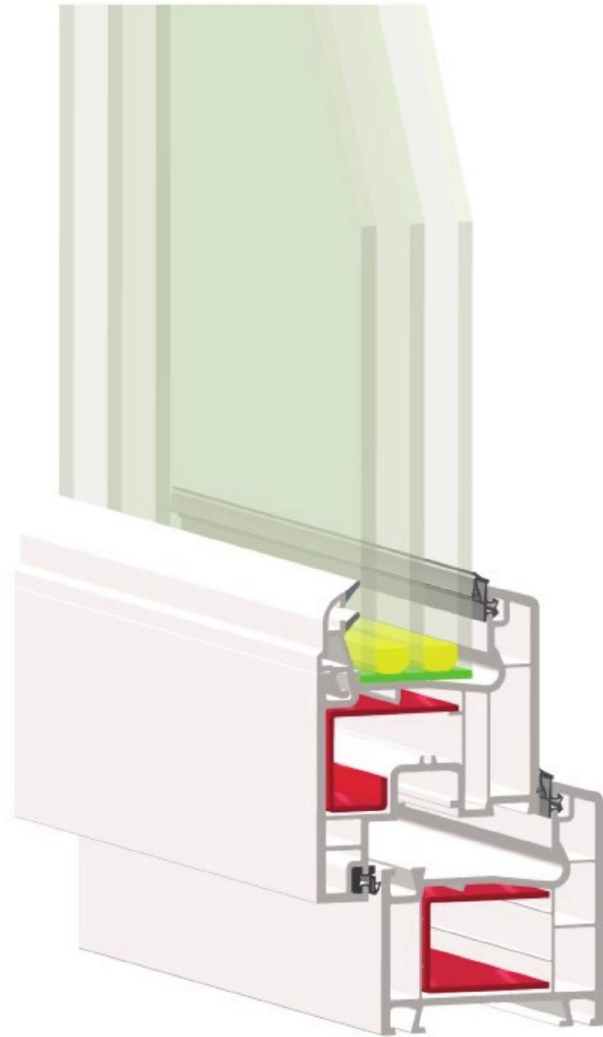
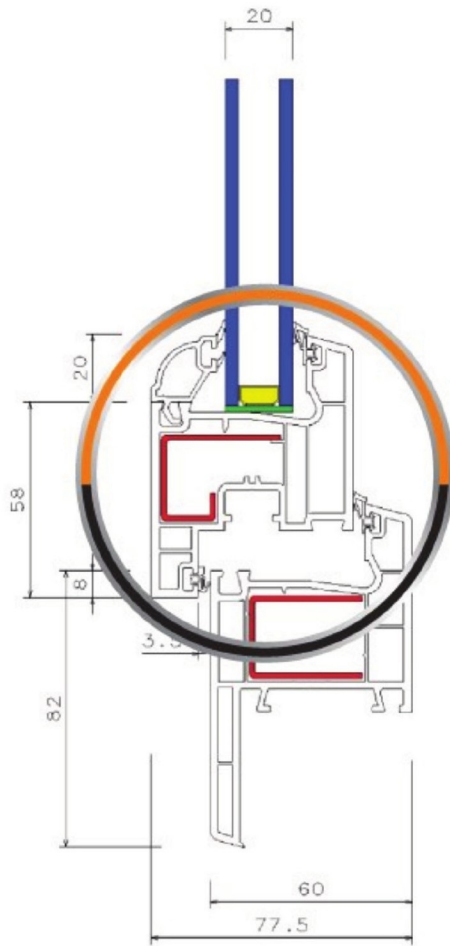


EGE SERIES / Sash profile

(60 mm) - KOD: ES 003
1,20 kg / 1 mt (± 0,2)

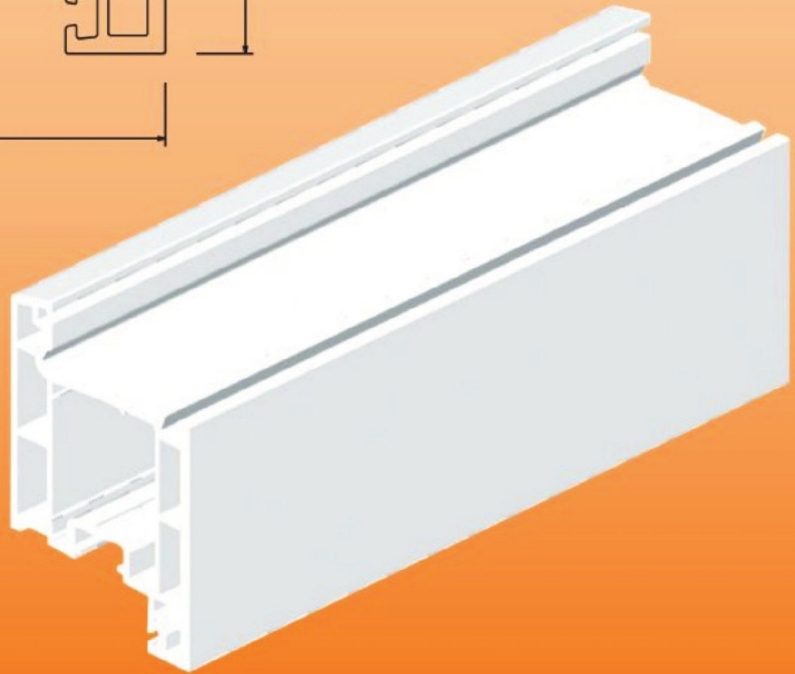
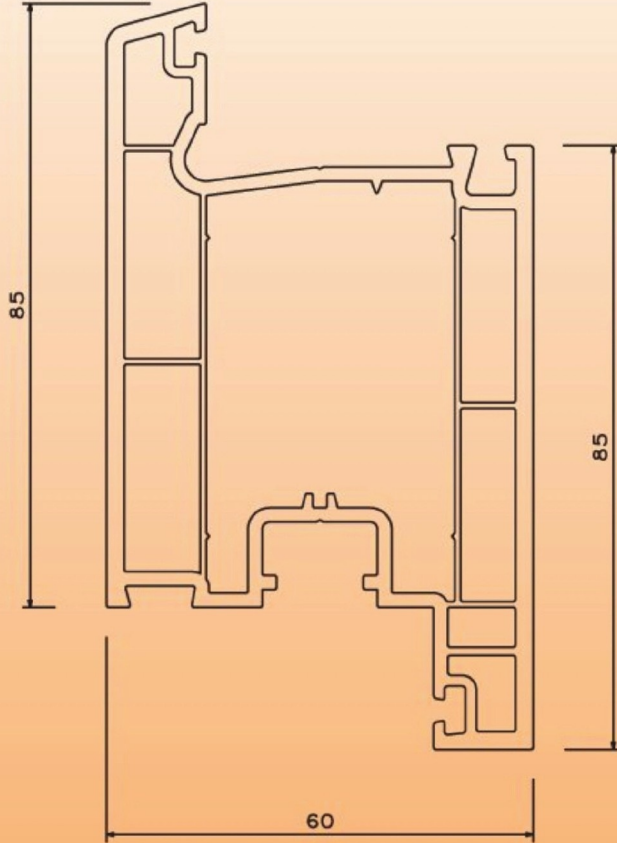


EGE SERIES / Sash profile
(60 mm) - KOD: ES 003



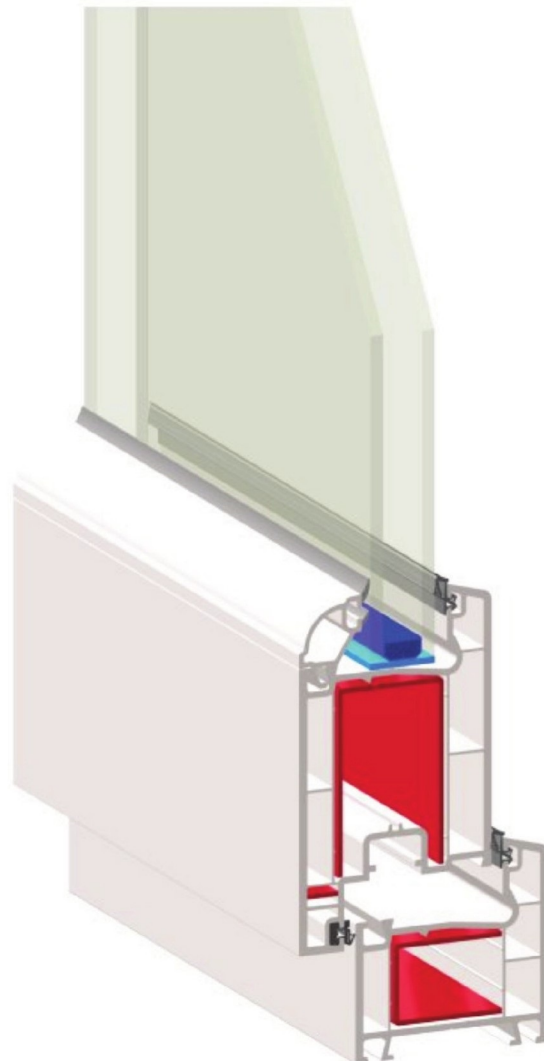
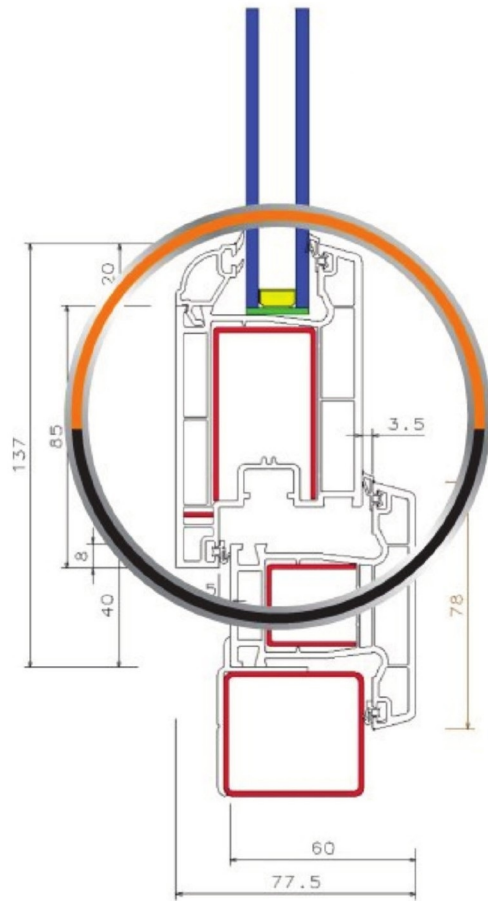
EGE SERIES / Door sash profile

(60 mm) - KOD: ES 004
1,400 kg / 1 mt (± 0,2)



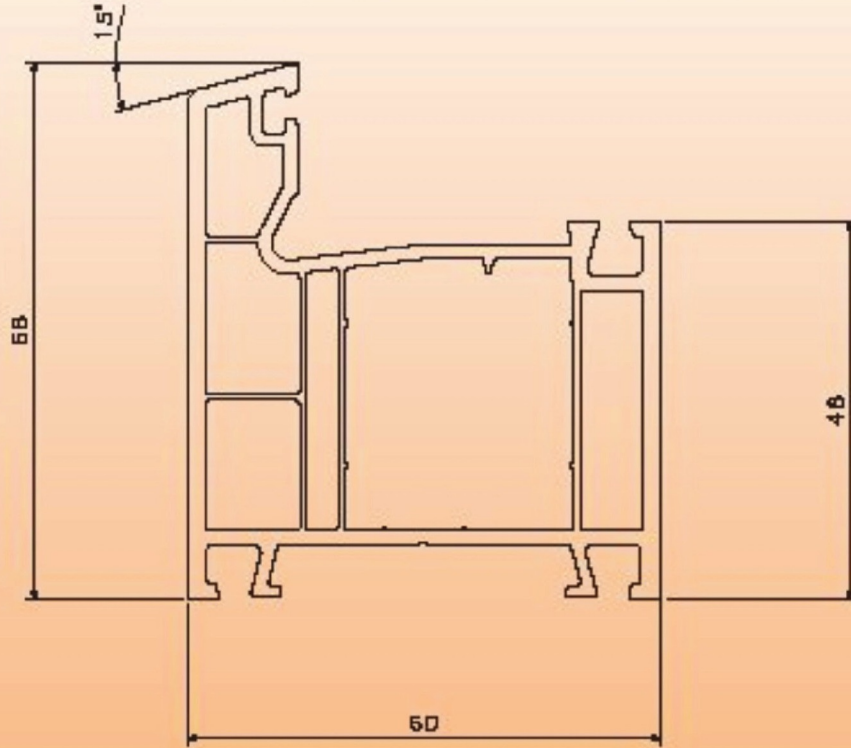
EGE SERIES / Door sash profile

(60 mm) - KOD: ES 004



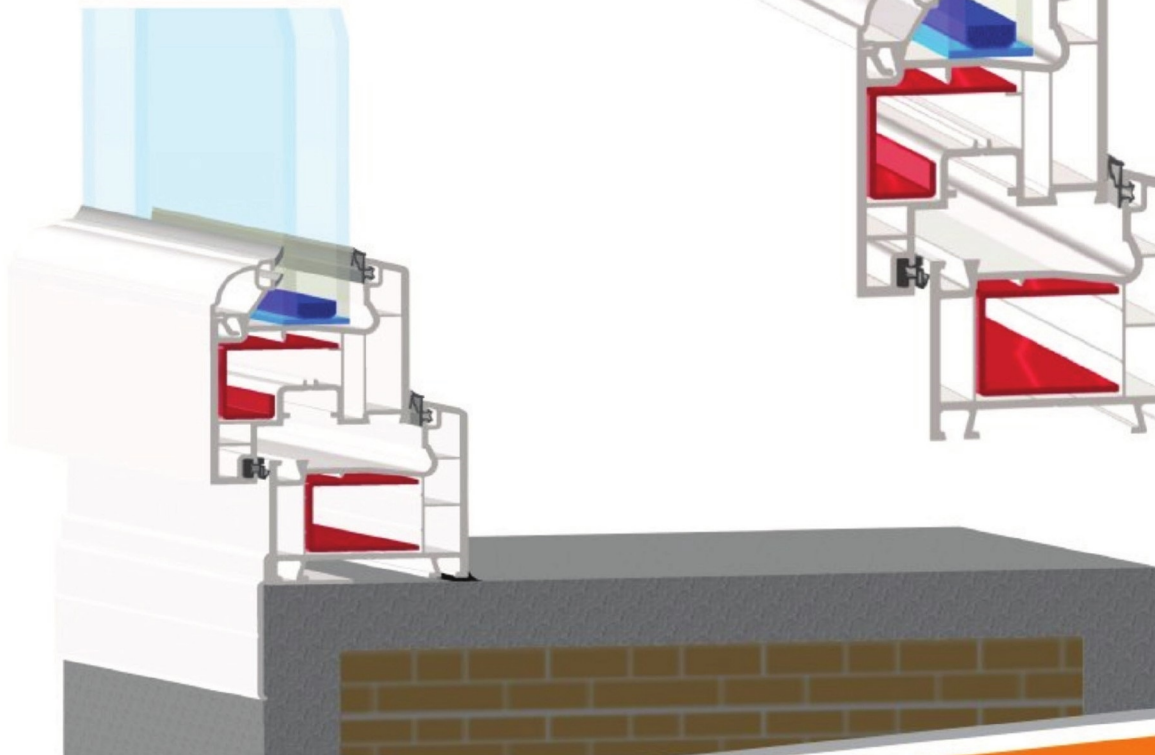
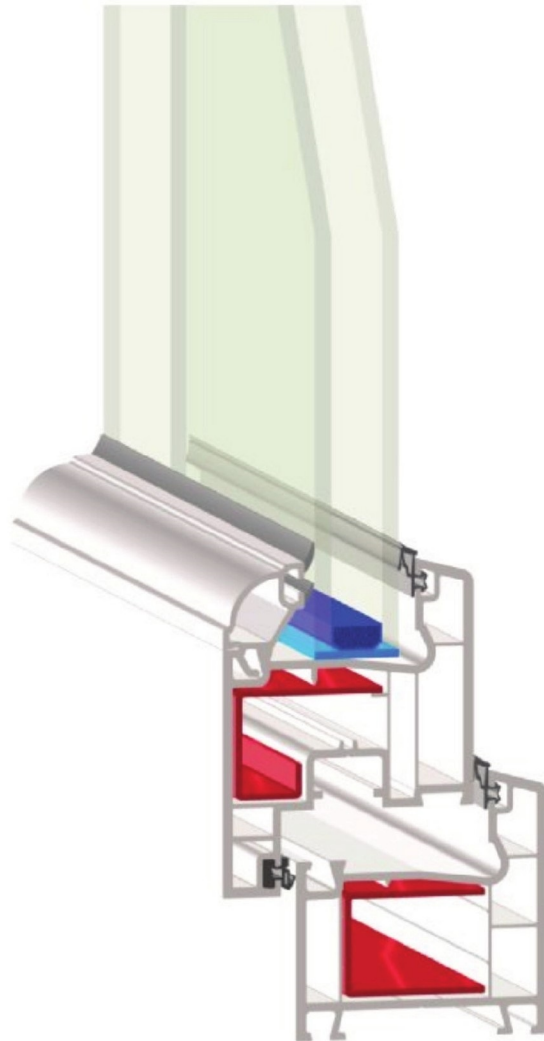
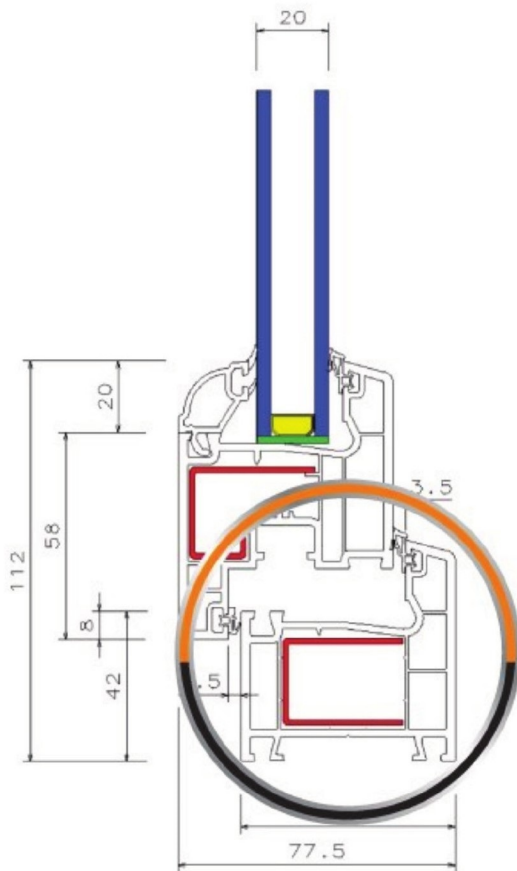
EGE SERIES / Super frame profile

(60 mm) - KOD: ES 006
1,150 kg / 1 mt (± 0,2)



EGE SERIES / Super frame profile

(60 mm) - KOD: ES 006



VENEDIK SERIES

WINSTAR
pvc profile systems

60 mm

Glass groove drainage and ventilation through special channels.

The possibility of applying the insulation glass 4.12.4.

43 optical brightness and whiteness.

TPE seal built-in casing saves assembly time.

Profile-adapted stable steel reinforcement is used inside the frame and the sash for high stability and insulation.

4 chamber profile provides high degree of thermal and acoustic insulation.

Border built-in casing saves assembly time.

2.7 mm thick outer walls.

Modern design.

"Quality has never been a coincidence."

"Kalite Asla Tesadüf Değildir."

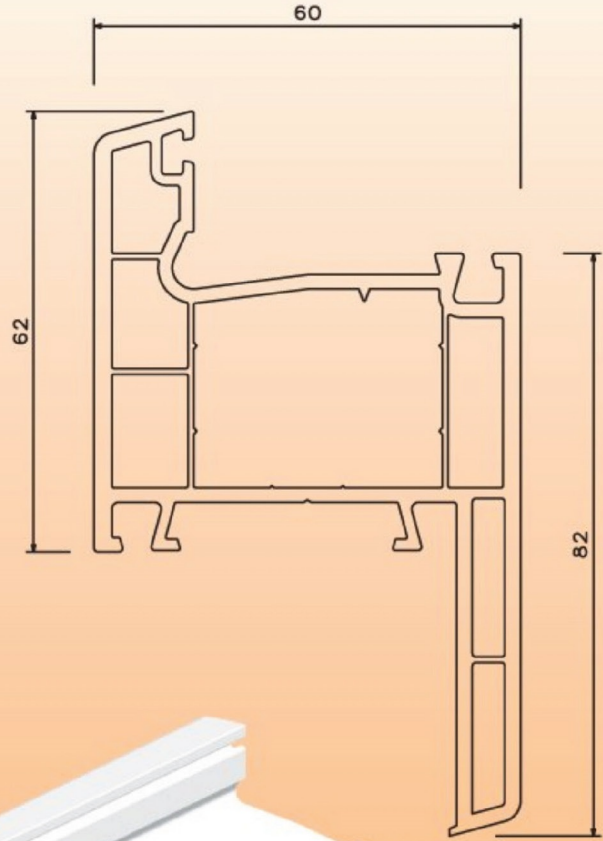
www.winstar.com.tr

www.winstar.com.tr

60mm

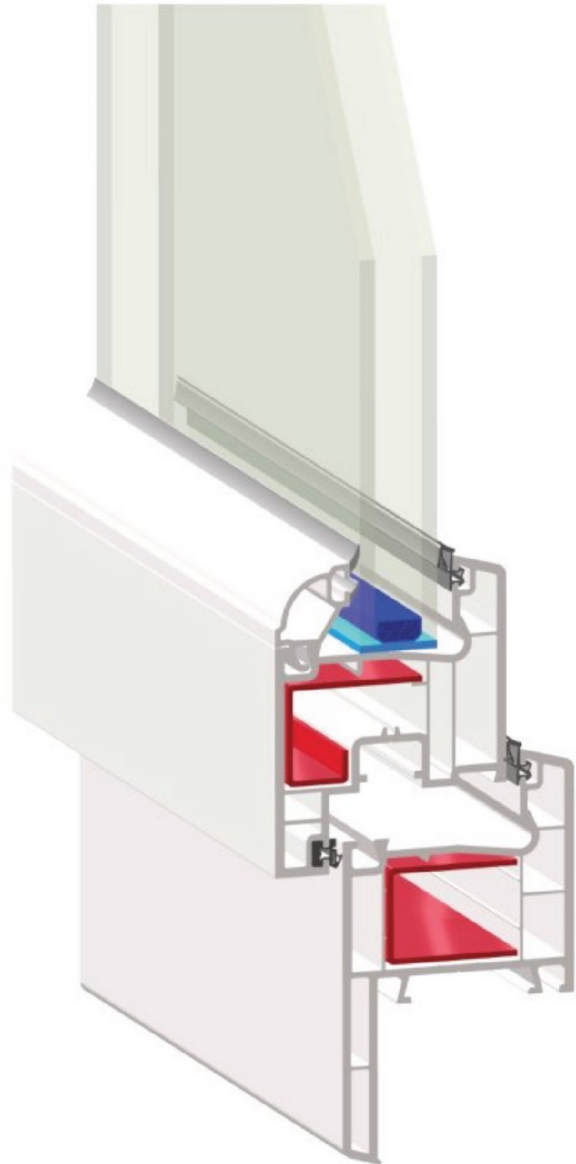
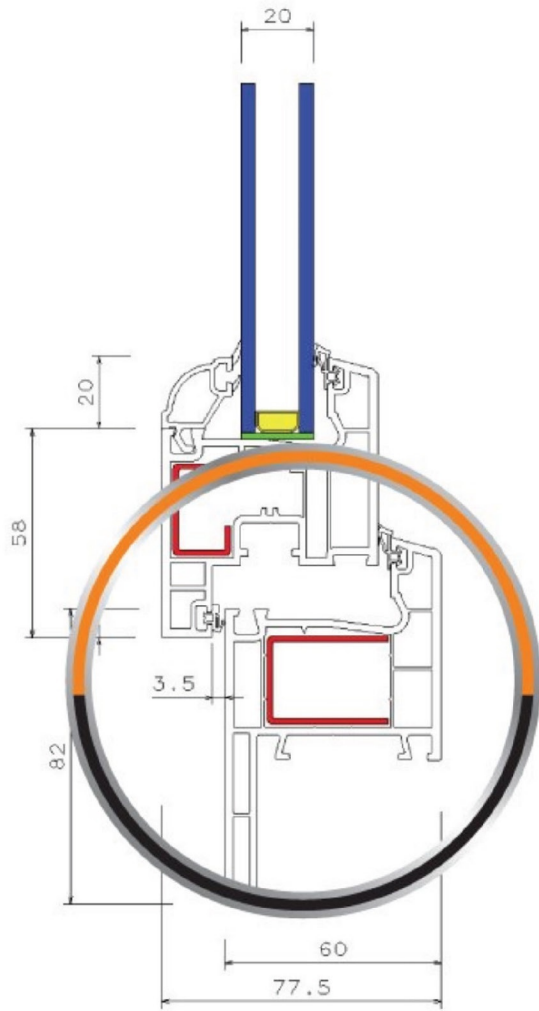
VENEDIK SERIES / Super frame profile

(60 mm) - KOD: VS 001
1,350 kg / 1 mt (± 0,2)



VENEDIK SERIES / Super frame profile

(60 mm) - KOD: VS 001



NAPOLEON SERIES



60 mm

The possibility of applying the insulation glass 4.12.4.
Empowering the frame with a border 125-325mm.
Border built-in casing saves assembly time.

Glass groove drainage and ventilation through special channels.

The possibility of applying together with profiles from EGE series.

Aesthetic appearance and maximum light transmission.

TPE seal built-in casing saves assembly time.

43 optical brightness and whiteness.

2.7 mm thick profile outer walls.

"Quality has never been a coincidence."

"Kalite Asla Tesadüf Değildir."

www.winstar.com.tr

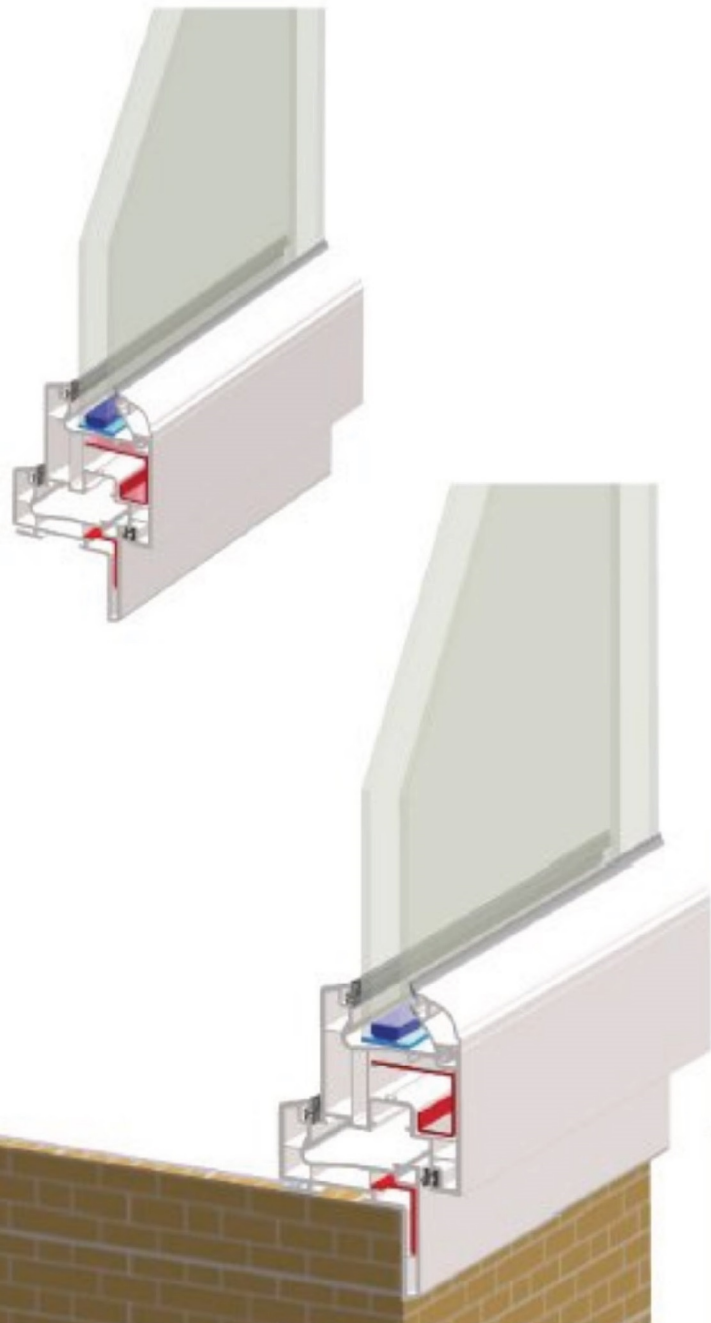
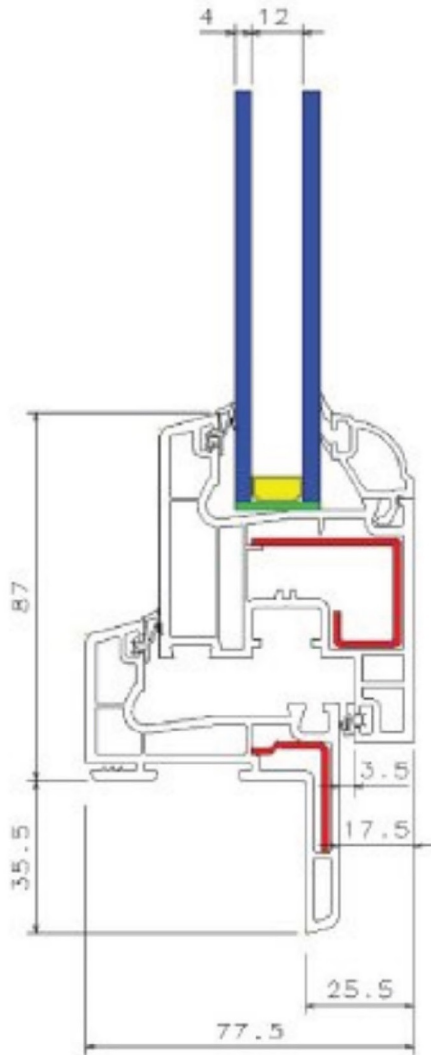
www.winstar.com.tr

60 mm

NAPOLEON SERIES / ECO frame profile

KOD: NS 001

1.050kg / 1mt (± 0.2)



88 mm

2.7 mm thick profile outer walls gives opportunity to use a more wide frame.

TPE seal built-in casing saves assembly time.

Using of one type of glazing beads optimizes stocks.

Glass groove drainage and ventilation through special cannels.

Between the frame and the rail profile is no place where dust can accumulate.

Profile-adapted stable steel reinforcement is used inside the frame and the sash for high stability and security.

Factory makes vertical and horizontal sheating for the balcony doors.

Border can be used on both sides.

"Quality has never been a coincidence."

"Kalite Asla Tesadüf Değildir."

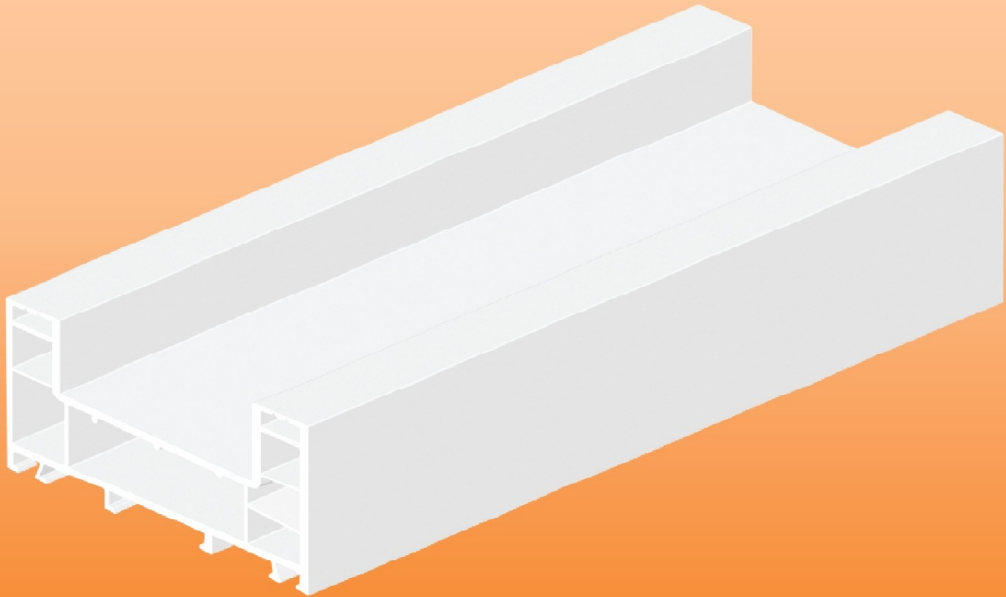
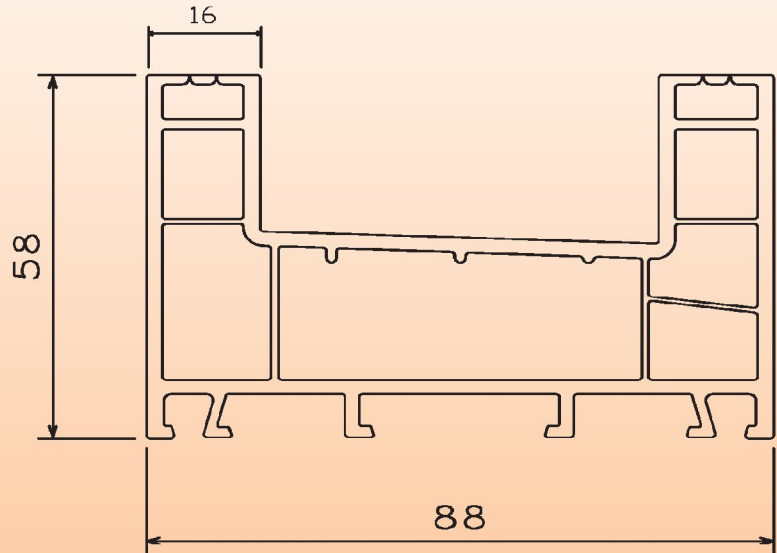
www.winstar.com.tr

www.winstar.com.tr

88 mm

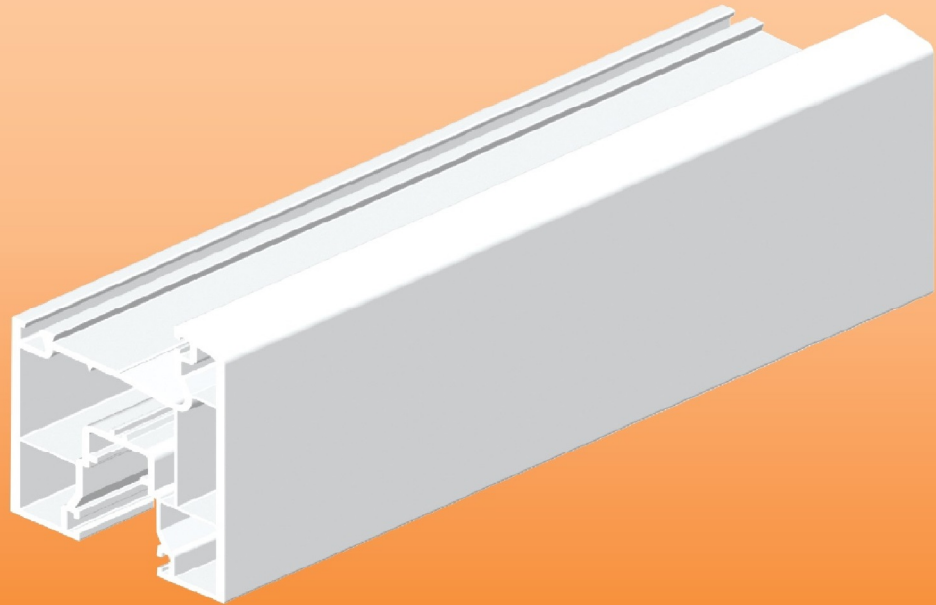
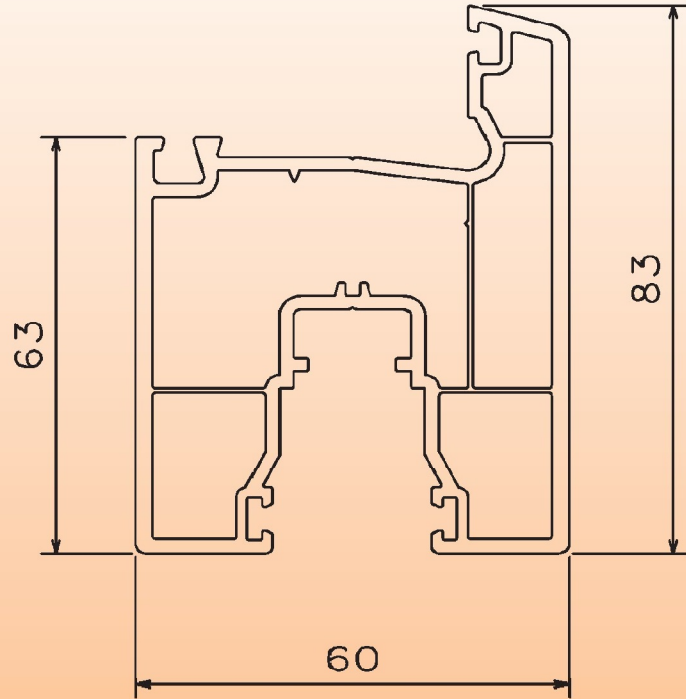
TRUVA SERIES / Sliding frame profile

(88 mm) - KOD: TS 001
1,400 kg / mt (± 0,2)



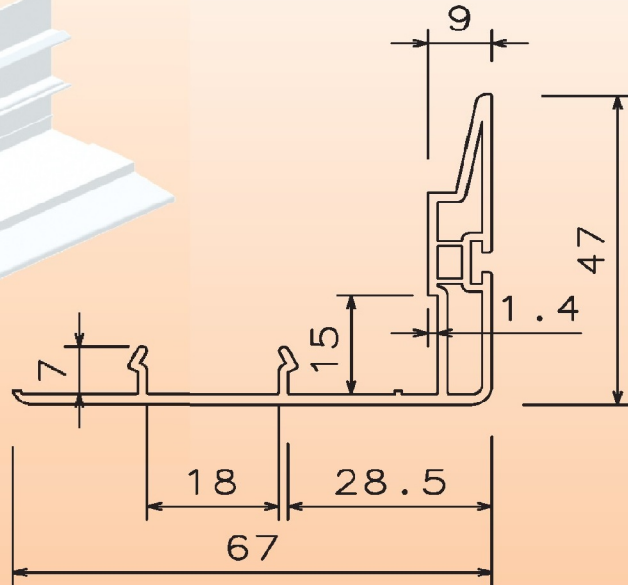
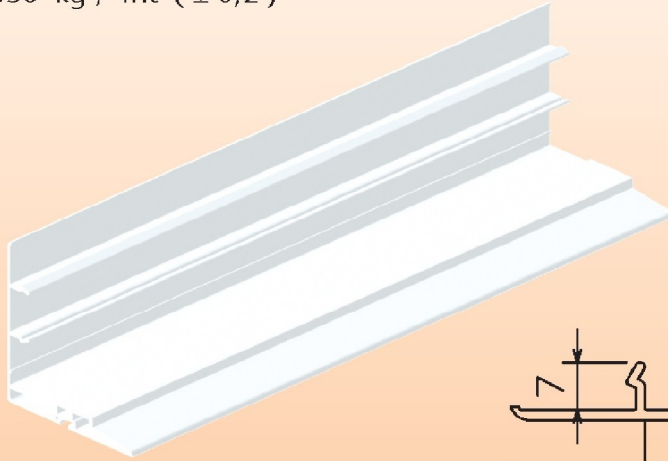
TRUVA SERIES / Sliding sash profile

(88 mm) - KOD: TS 002
1,400 kg / mt (± 0,2)



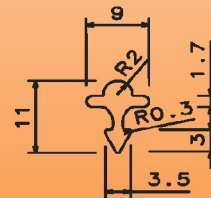
TRUVA SERIES / Frame channel cover

(88 mm) - KOD: TS 003
0,350 kg / mt (± 0,2)



Sliding rail

KOD: OP 016
0,180 kg / mt (± 0,2)





LIDYA SERIES

110mm

Ability to apply one or more door leaves.

Glazing beads make assembly easy and ensure an aesthetic appearance.

Between the frame and the rail profile is no place where dust can accumulate.

TPE seal built-in casing saves assembly time.

Factory makes vertical and horizontal sheathing for the doors.

Border can be used by both sides.

"Quality has never been a coincidence."

"Kalite Asla Tesadüf Değildir."

www.winstar.com.tr

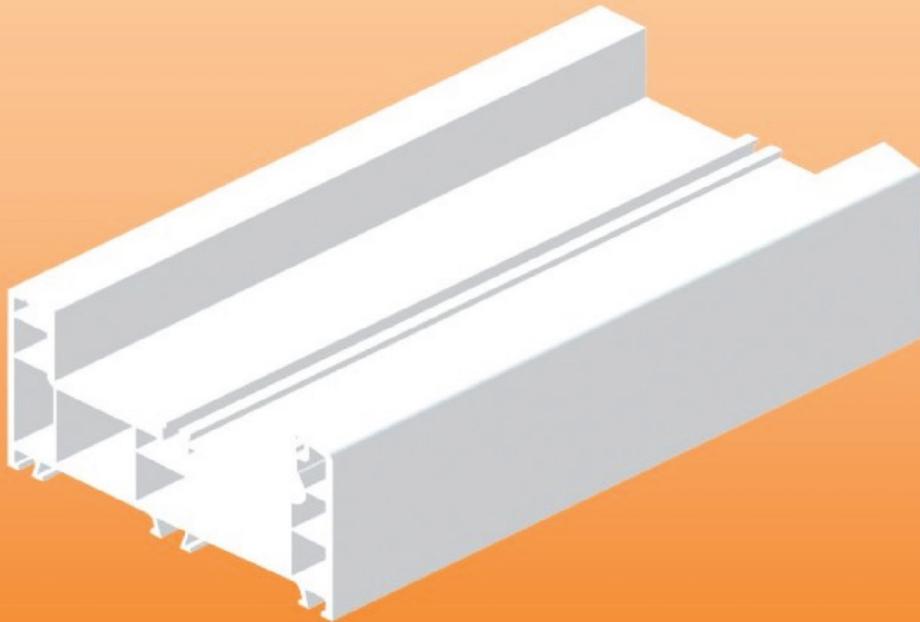
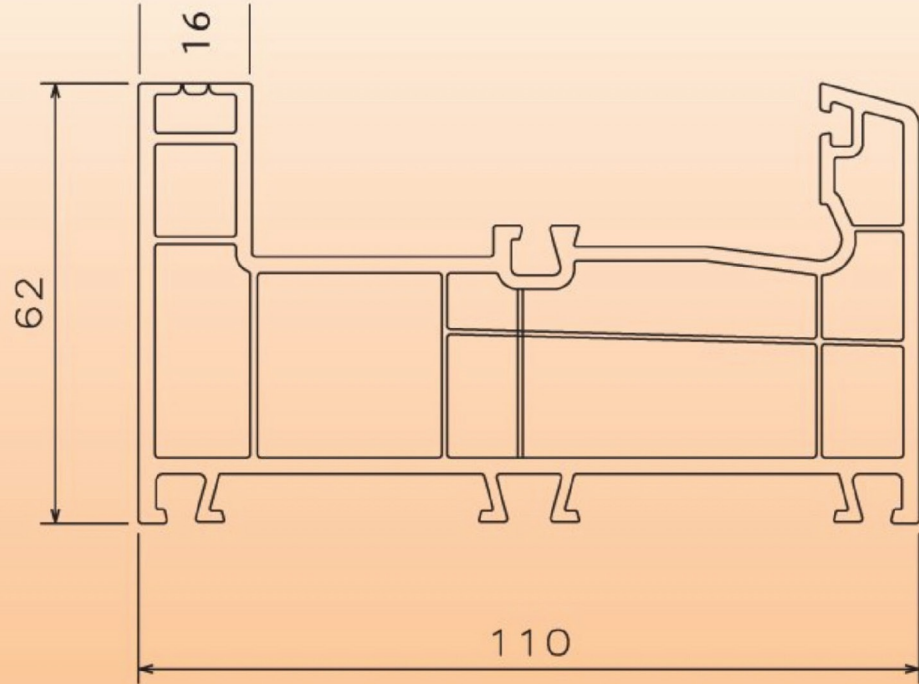
www.winstar.com.tr

110mm

LIDYA SERIES / Double track sliding fix frame profile

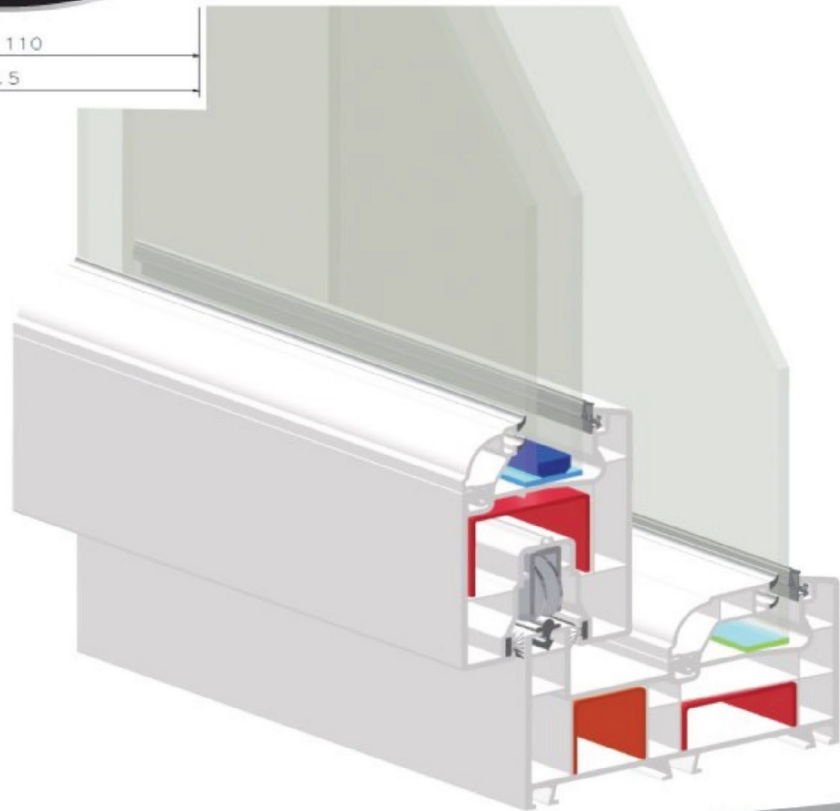
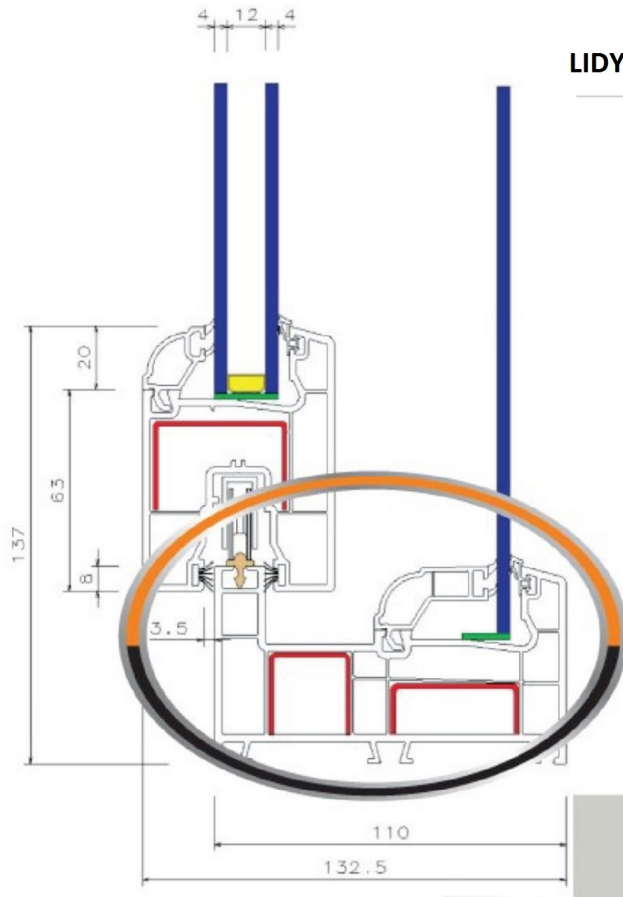
(110 mm) KOD: LS 001

1,550 kg / mt ($\pm 0,2$)



LIDYA SERIES / Double track sliding fix frame profile

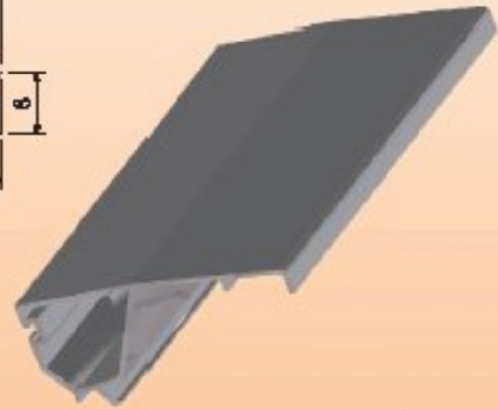
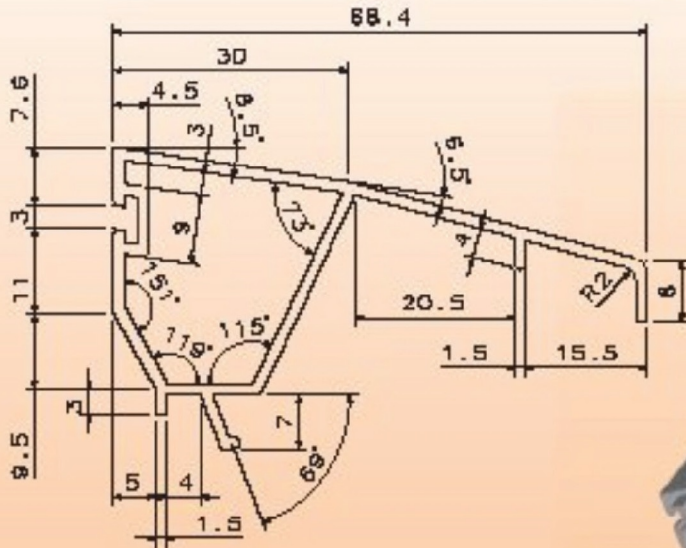
(110 mm) KOD: LS 001



LIDYA SERIES / Sliding aluminum threshold profile

KOD: OP 018

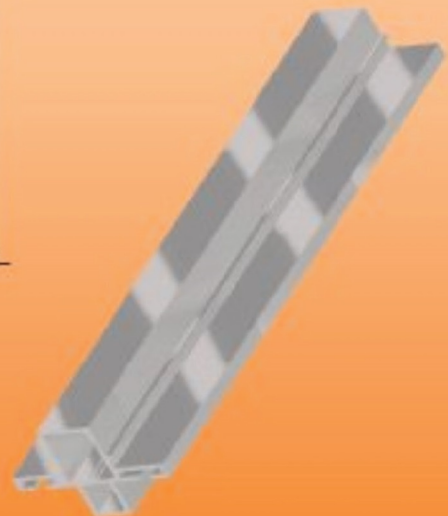
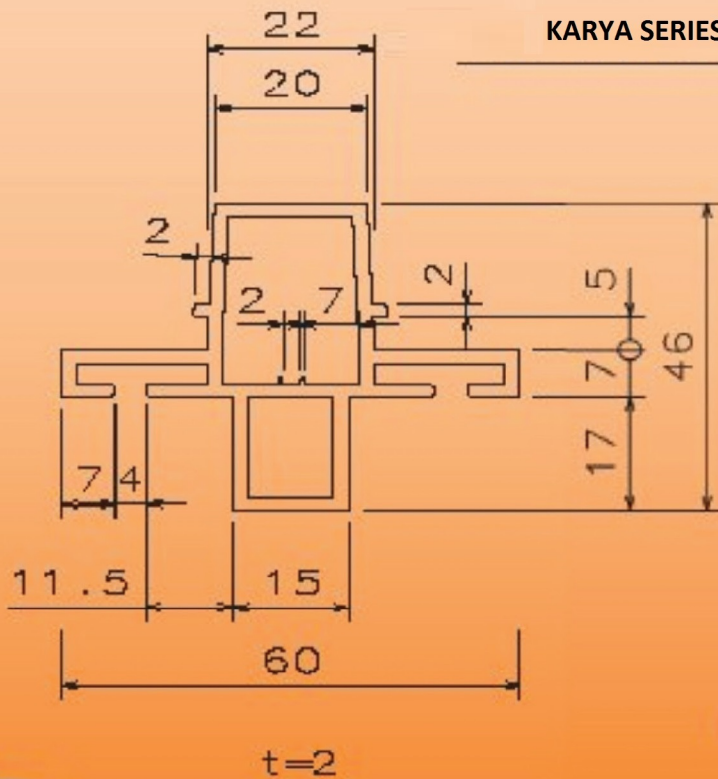
0.950kg / 1mt (± 0.2)



KARYA SERIES / Sliding aluminum adapting profile

KOD: OP 017

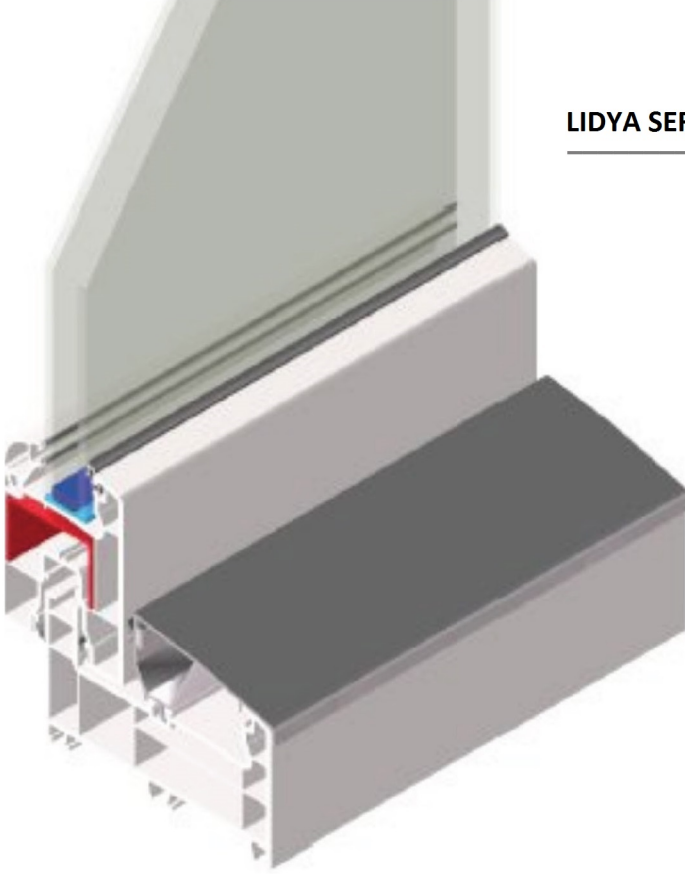
1.050kg / 1mt (± 0.2)



LIDYA SERIES / Sliding aluminum threshold profile

KOD: OP 018

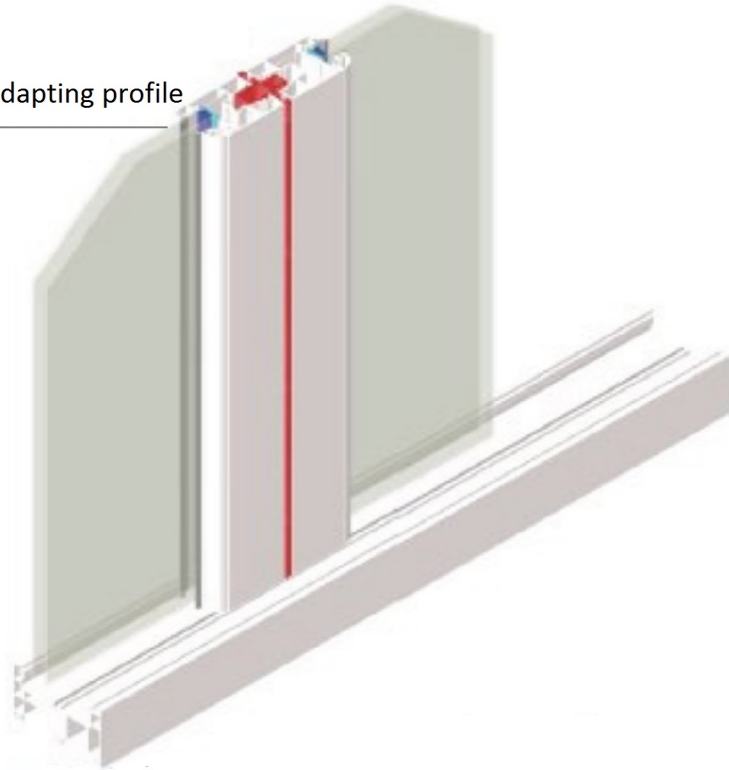
0.950kg / 1mt (± 0.2)



LIDYA SERIES / Sliding aluminum adapting profile

KOD: OP 017

1.050kg / 1mt (± 0.2)



70mm

✓ Glass groove drainage and ventilation through special channels.

✓ 2.7mm thick profile outer walls.

✓ Using of one type of glazing beads optimizes stocks.

✓ The possibility of applying the insulation glass 4.16.4.

✓ There are universal auxiliary profiles.

✓ 43 optical brightness and whiteness.

✓ TPE seal built-in casing saves assembly time.

✓ 5-chamber structure.

✓ Modern design.

✓ Border can be used on both sides.

"Quality has never been a coincidence."

"Kalite Asla Tesadüf Değildir."

www.winstar.com.tr

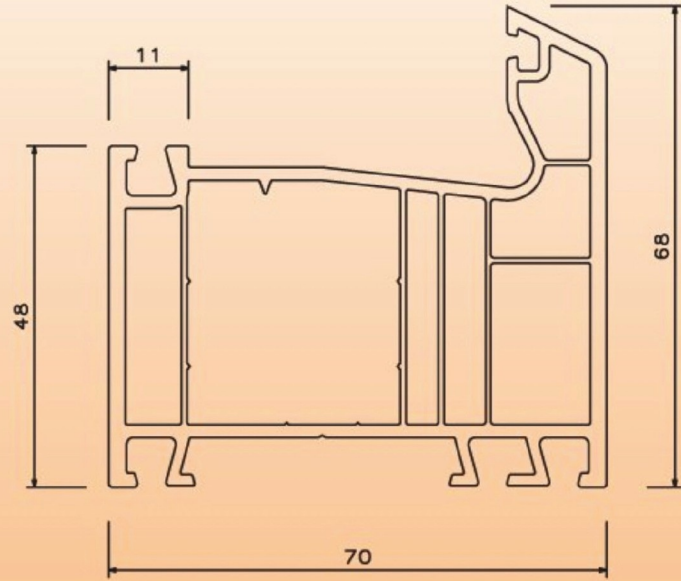
www.winstar.com.tr

70mm

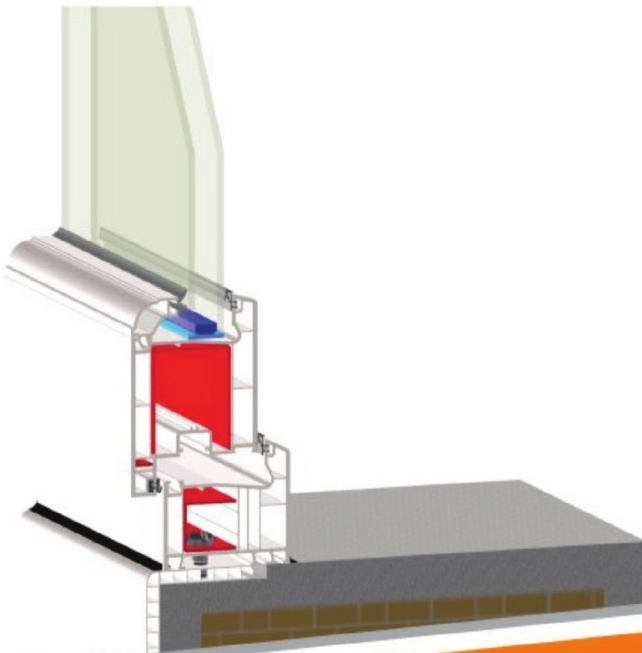
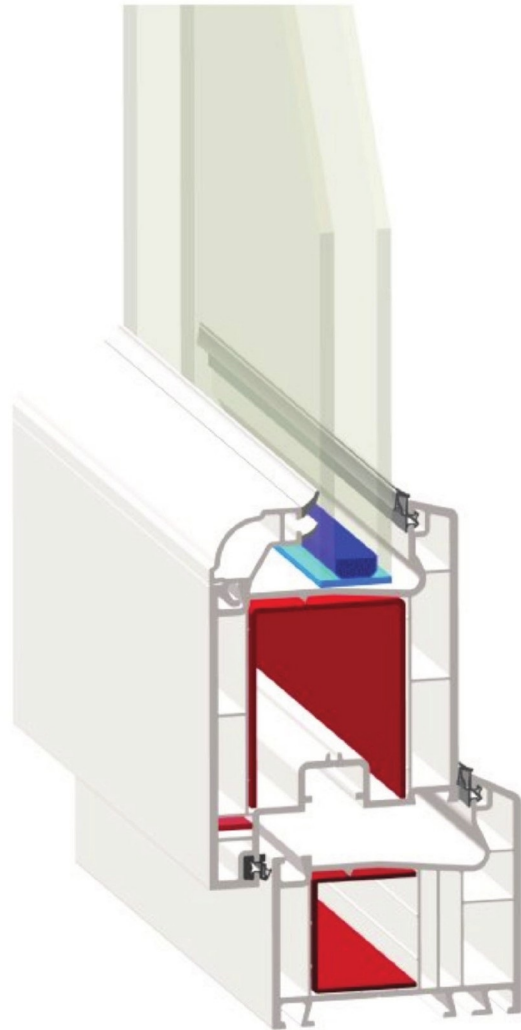
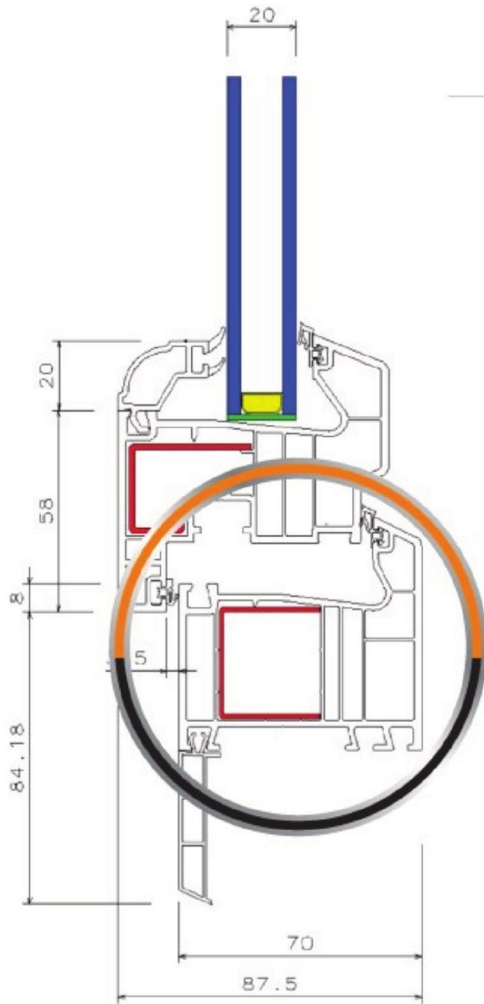
OKYANUS SERIES / Super frame profile

(70 mm) - KOD: OS 001

1,250 kg / mt ($\pm 0,2$)

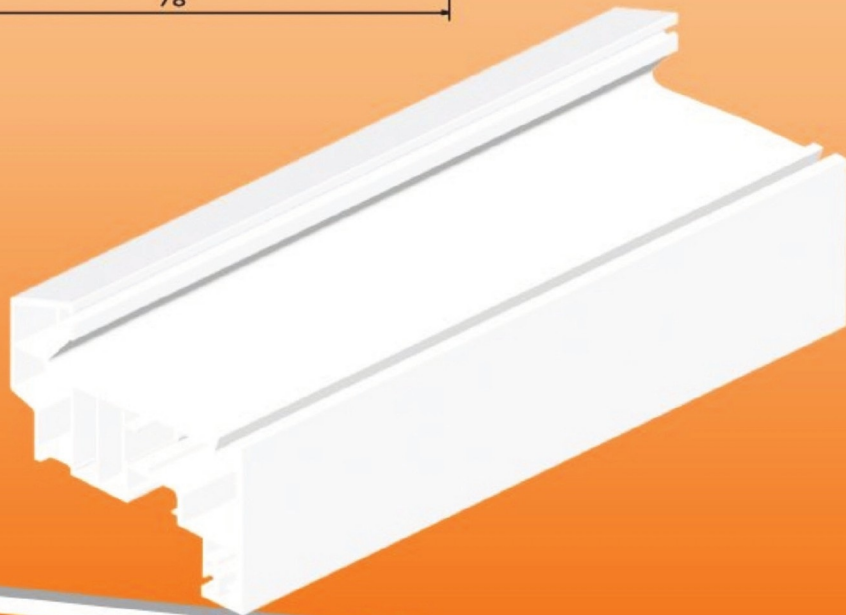
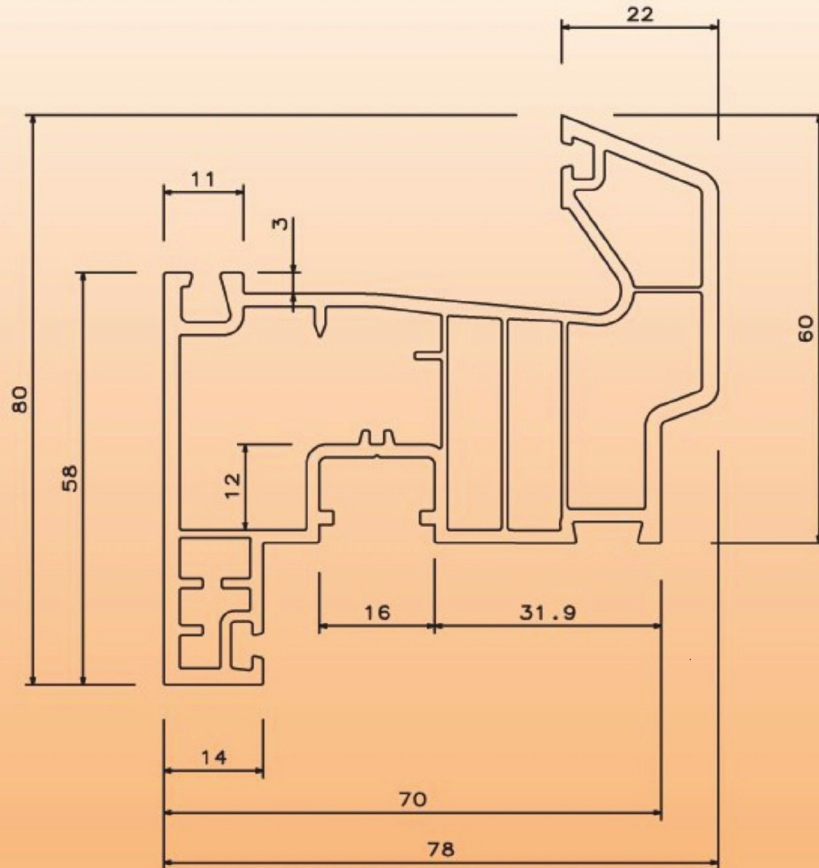


OKYANUS SERIES / Super frame profile
(70 mm) - KOD: OS 001



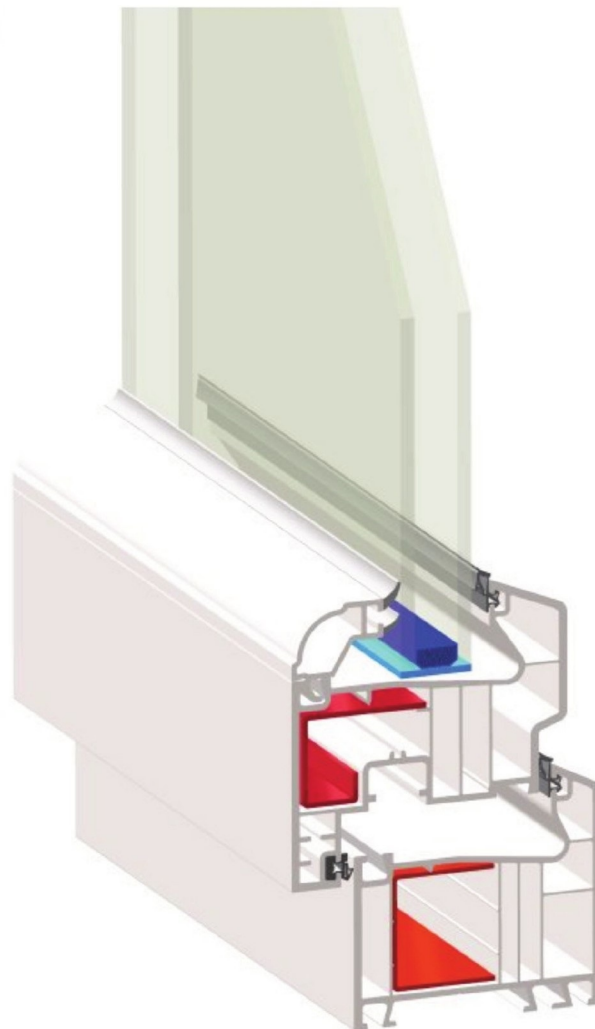
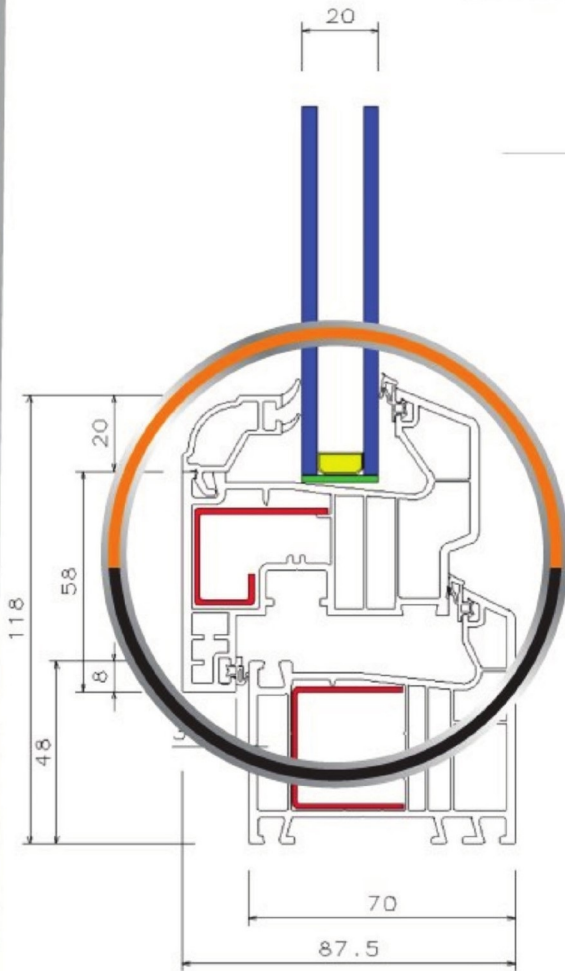
OKYANUS SERIES / Drain sash profile

(70 mm) - KOD: OS 002
1,300 kg / mt (± 0,2)



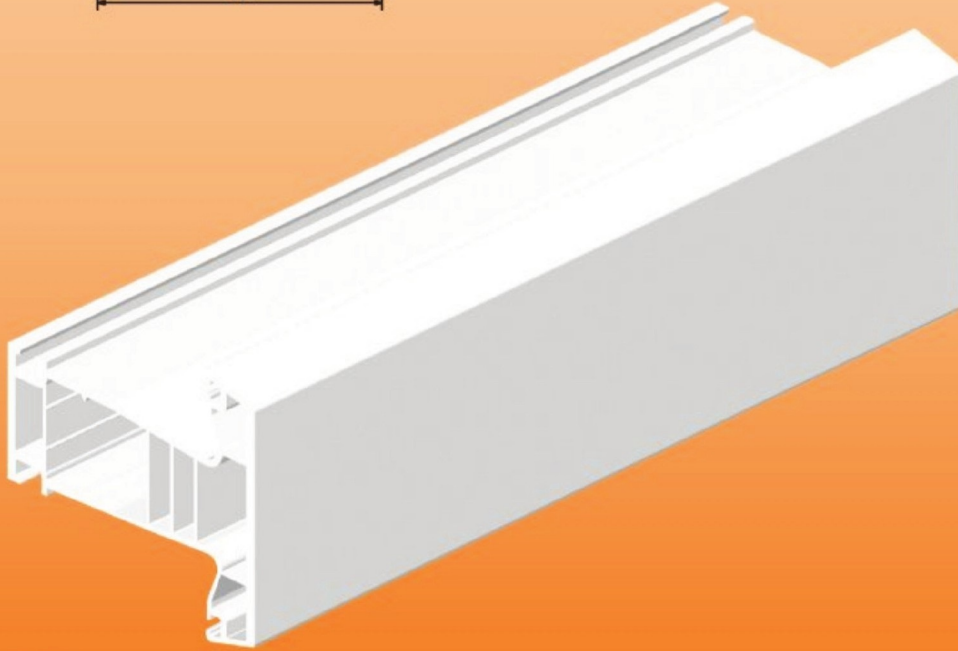
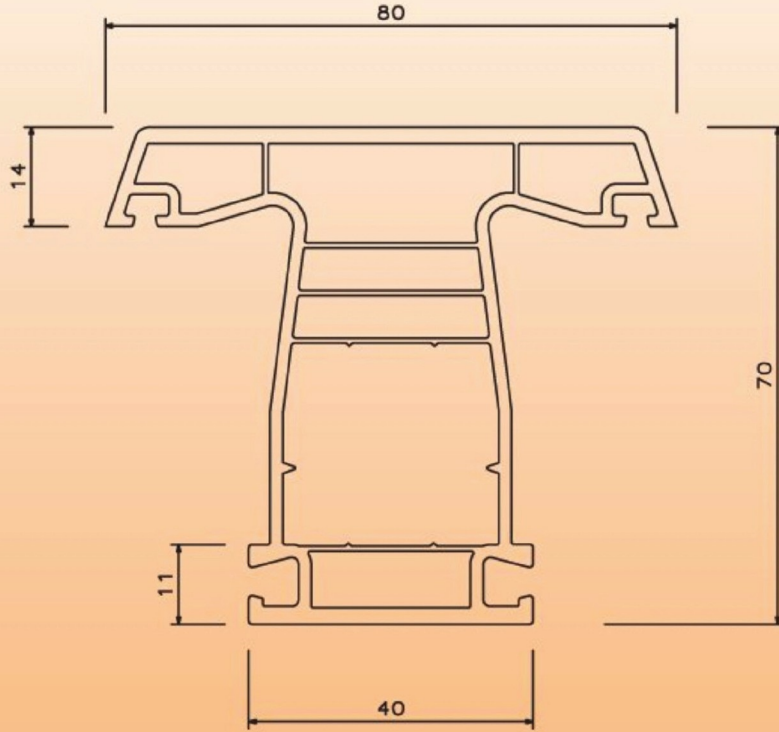
OKYANUS SERIES / Drain sash profile

(70 mm) - KOD: OS 002



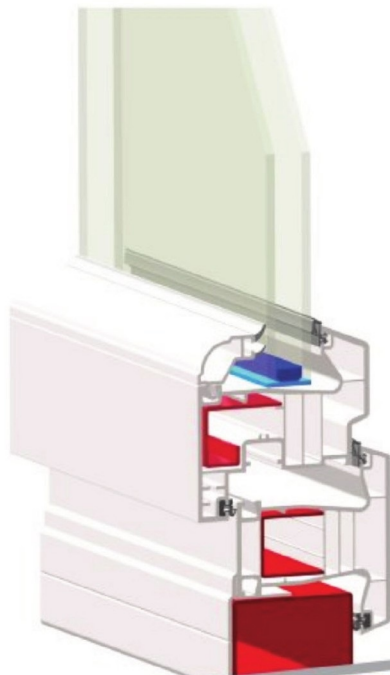
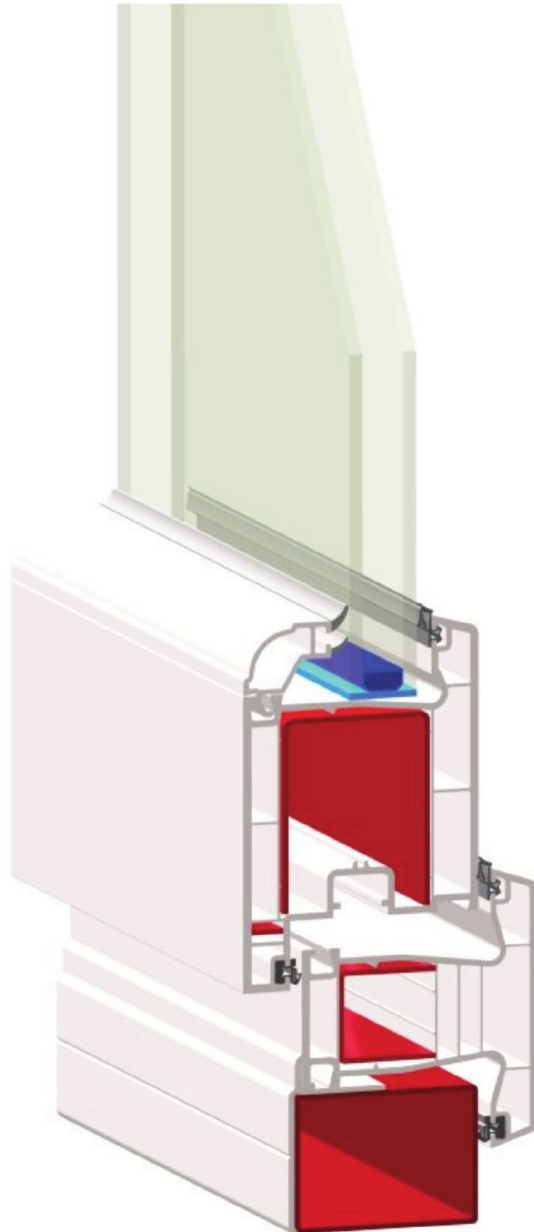
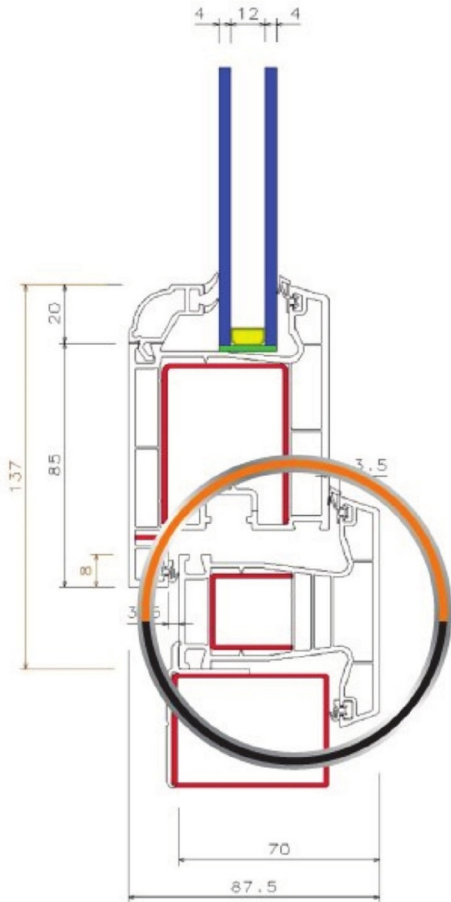
OKYANUS SERIES / Mullion profile

(70 mm) - KOD: OS 003
1,300 kg / mt (± 0,2)



OKYANUS SERIES / Mullion profile

(70 mm) - KOD: OS 003





KARYA SERIES

60 mm

✓ Glass groove drainage and ventilation through special channel.

✓ 43 optical brightness and whiteness.

✓ Using of one type of glazing beads optimizes stocks.

✓ 2.7 mm thick profile outer walls.

✓ TPE seal built-in casing makes assembly easy.

✓ Between the frame and the rail profile is no place where dust can accumulate.

✓ The possibility of applying together with profiles from EGE series.

✓ Border can be used in sliding systems.

✓ Modern design. The possibility of applying the insulation glass 4.9.4.

"Quality has never been a coincidence."

"Kalite Asla Tesadüf Değildir."

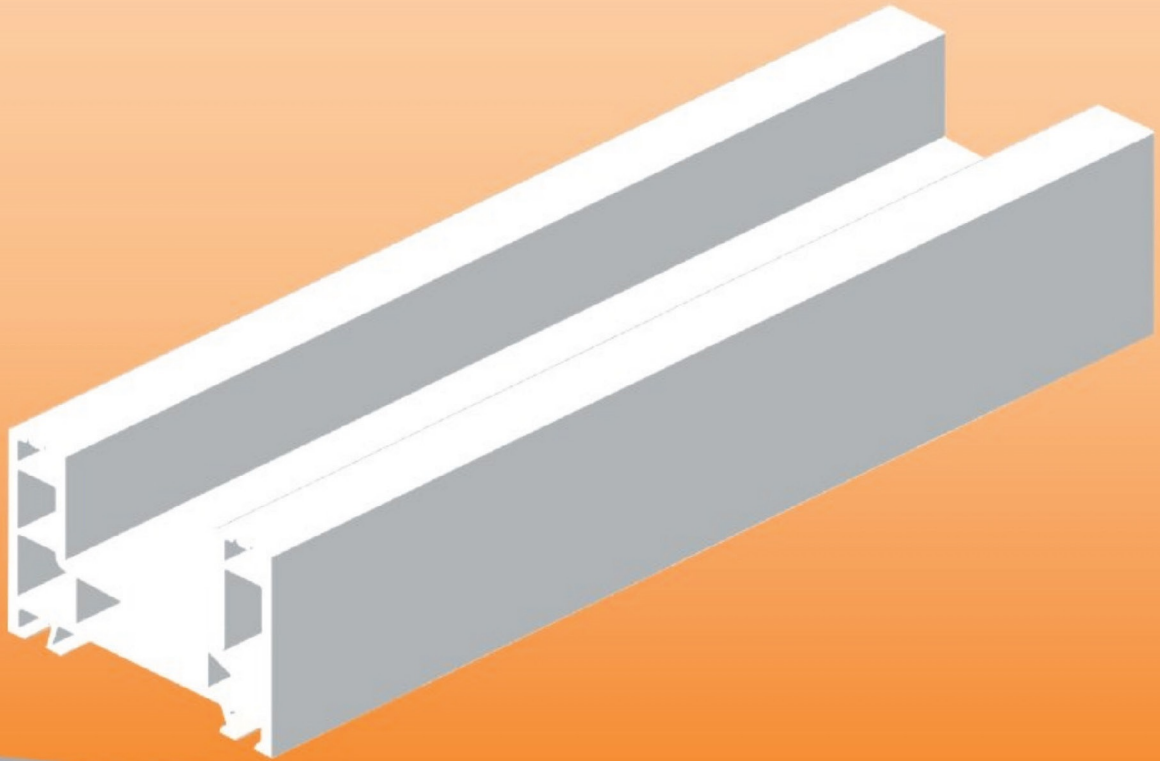
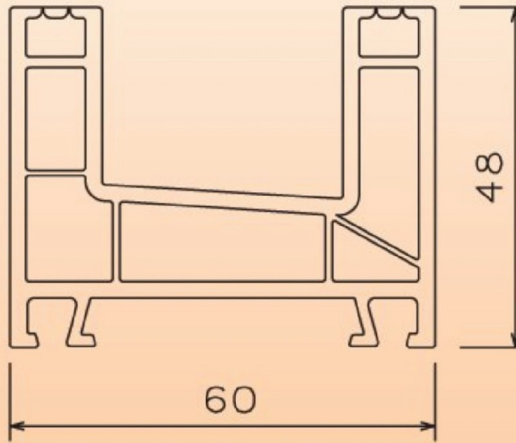
www.winstar.com.tr

www.winstar.com.tr

60 mm

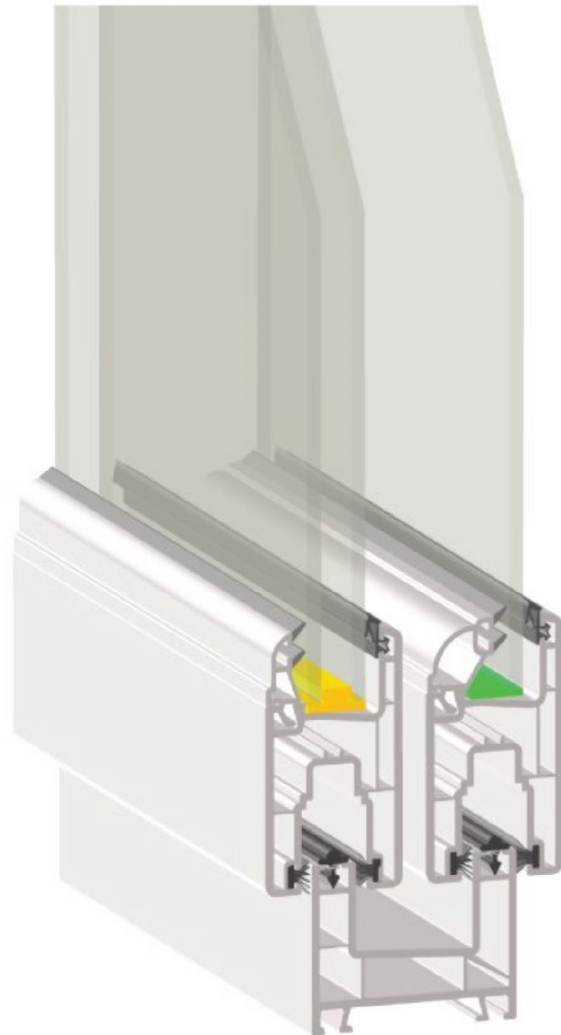
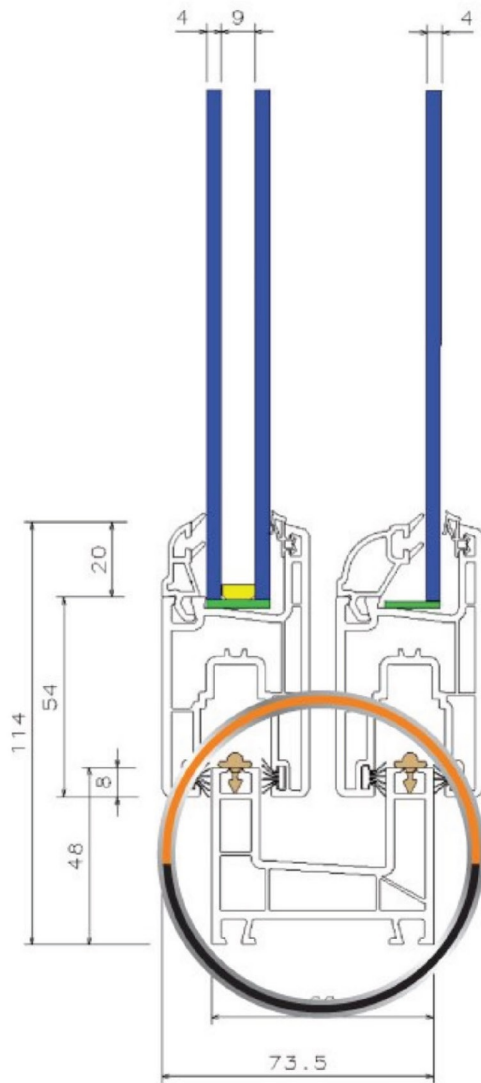
KARYA SERIES / Frame profile

(60 mm) - KOD: KS 001
1,020 kg / mt (± 0,2)



KARYA SERIES / Frame profile

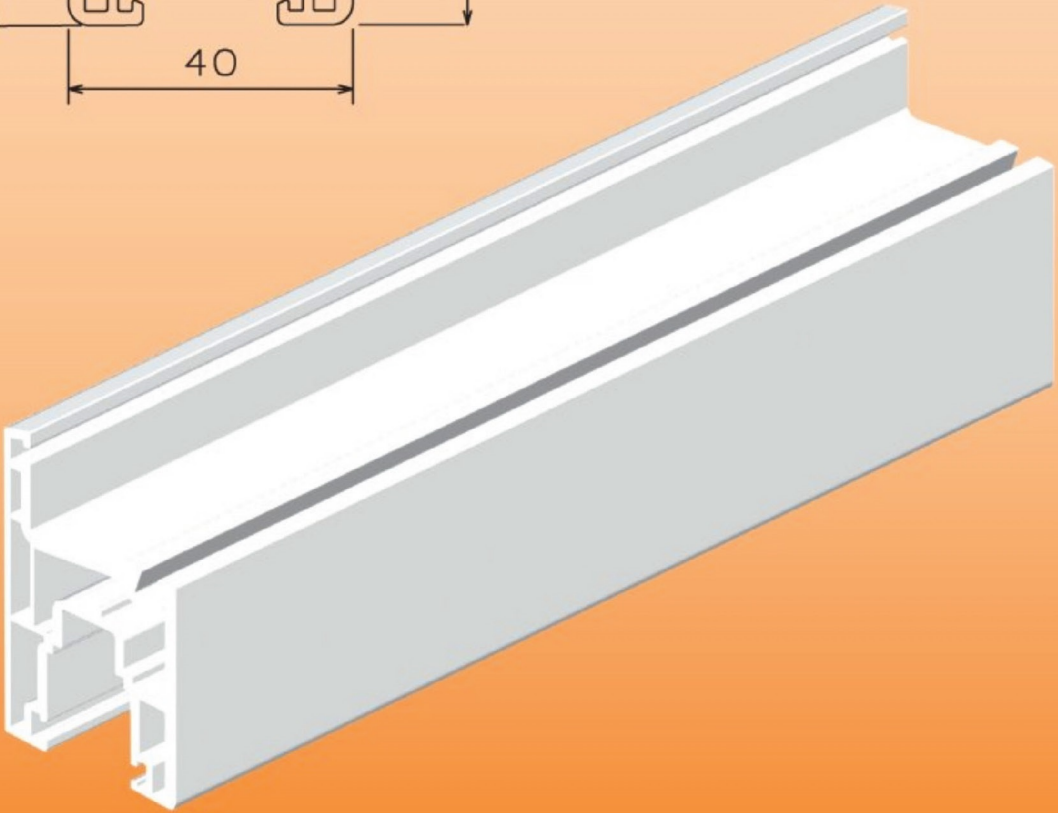
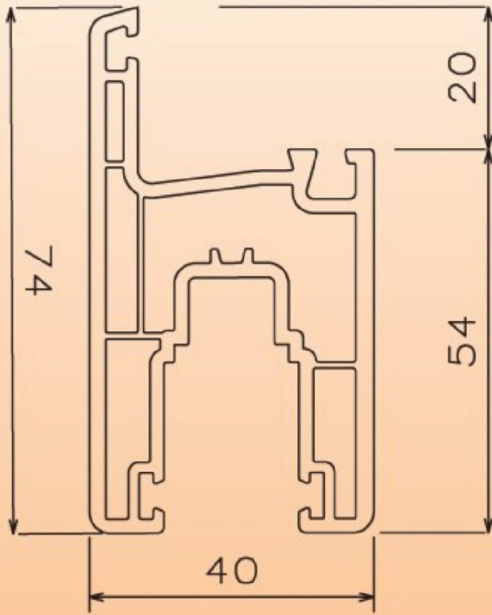
(60 mm) - KOD: KS 001



KARYA SERIES / Sash profile

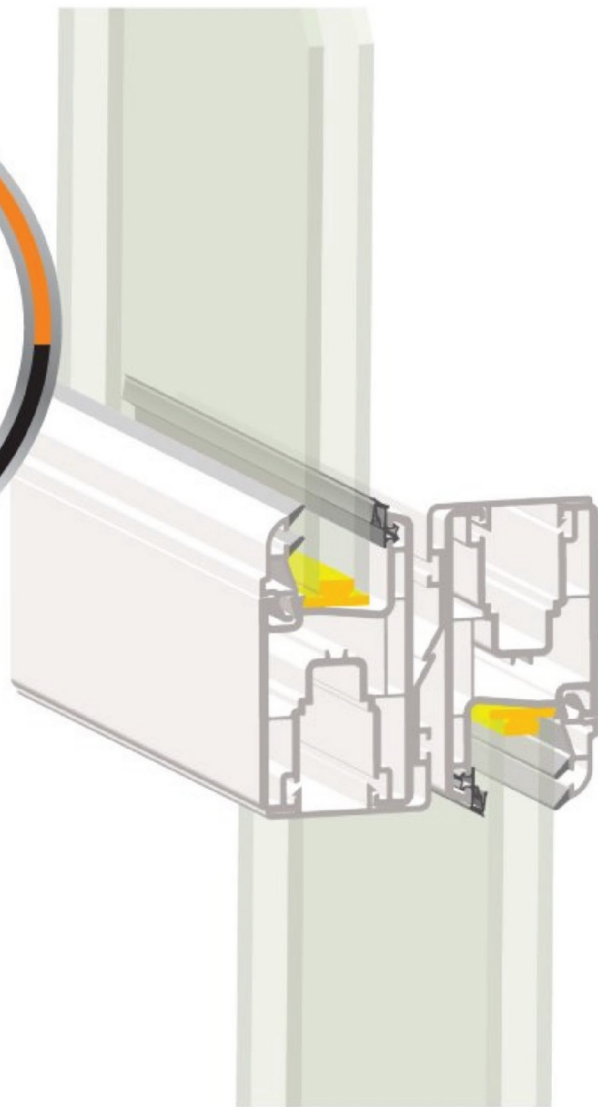
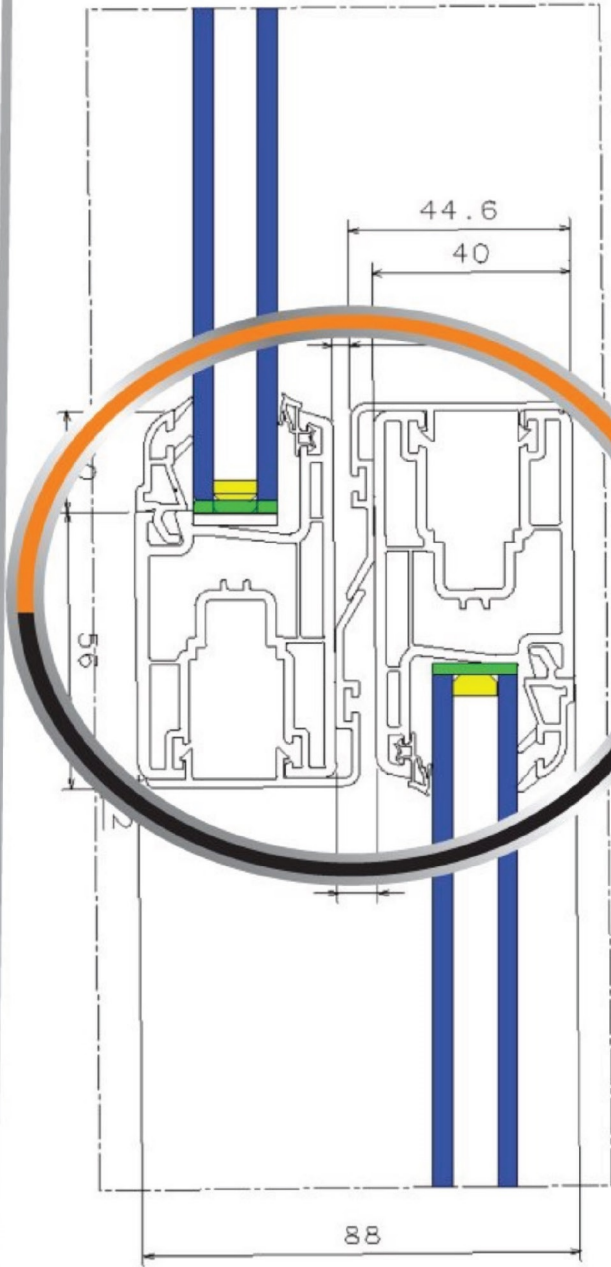
(60 mm) - KOD: KS 002

0,900 kg / mt (± 0,2)

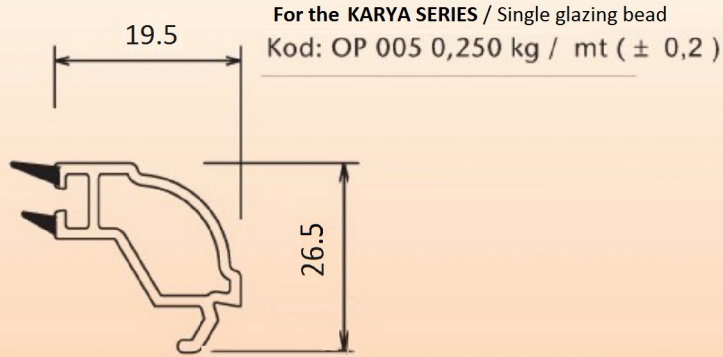


KARYA SERIES / Sash profile

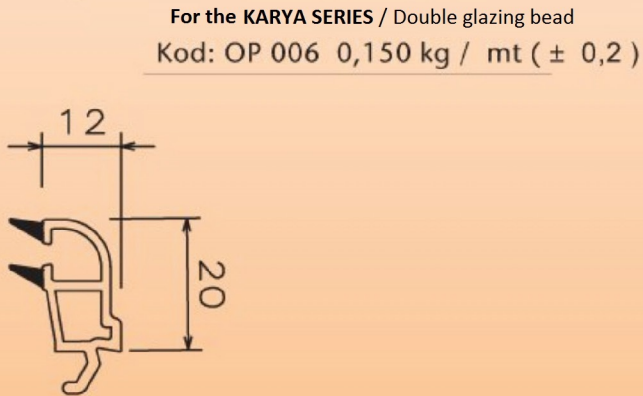
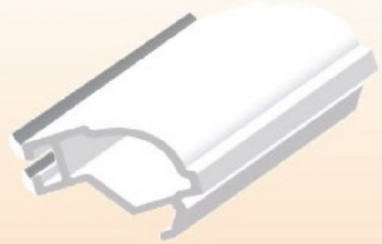
(60 mm) - KOD: KS 002



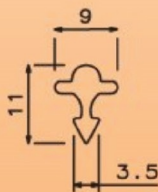
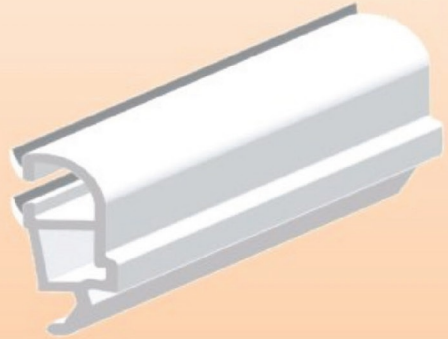
COMMON PROFILES



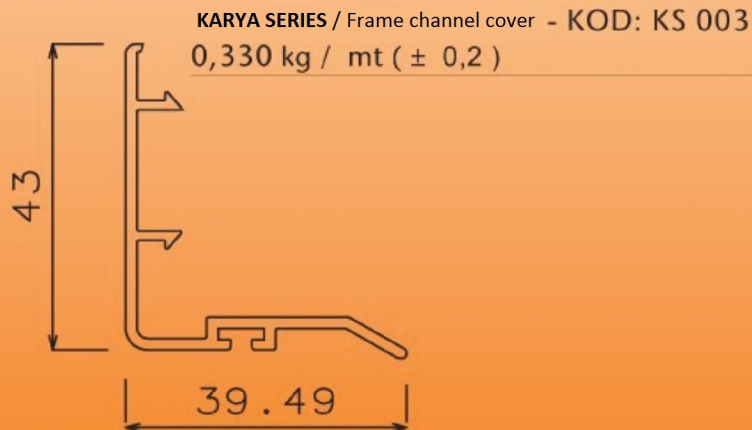
For the **KARYA SERIES** / Single glazing bead
Kod: OP 005 0,250 kg / mt (± 0,2)



For the **KARYA SERIES** / Double glazing bead
Kod: OP 006 0,150 kg / mt (± 0,2)



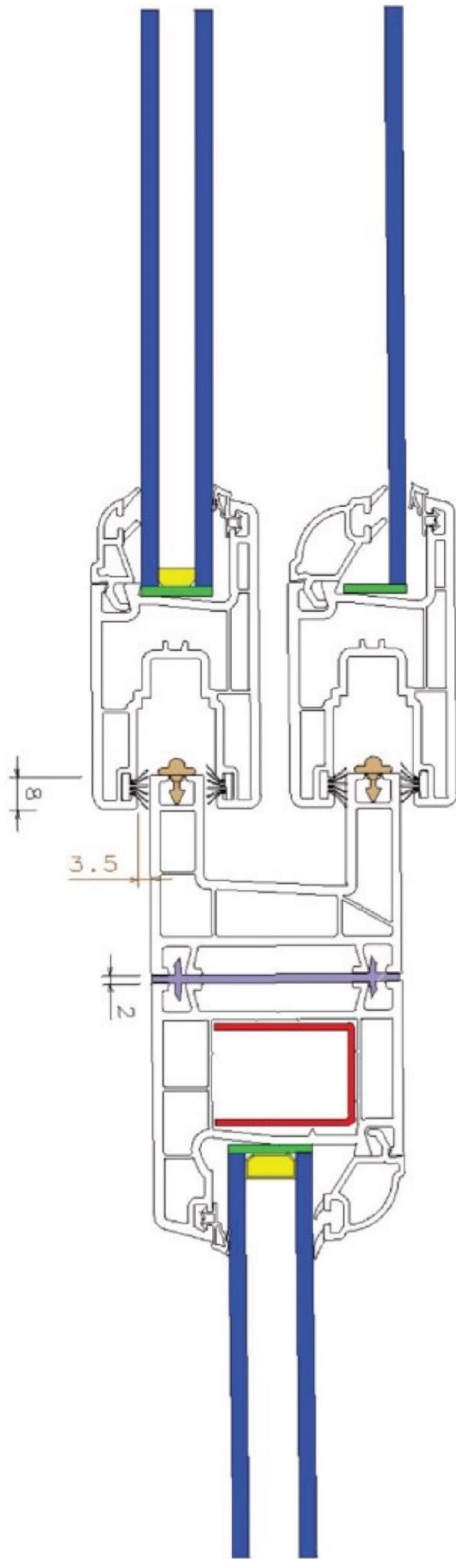
Sliding rail - KOD: OP 016
0,180 kg / mt (± 0,2)



KARYA SERIES / Frame channel cover - KOD: KS 003
0,330 kg / mt (± 0,2)

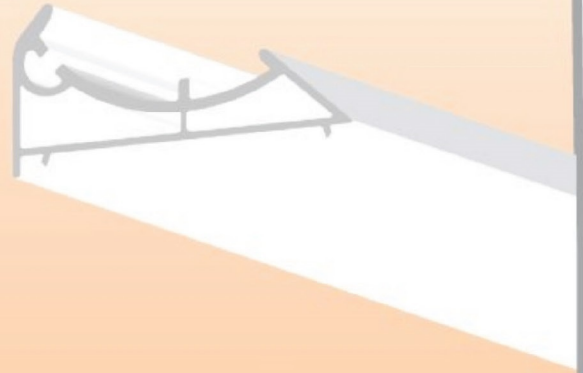
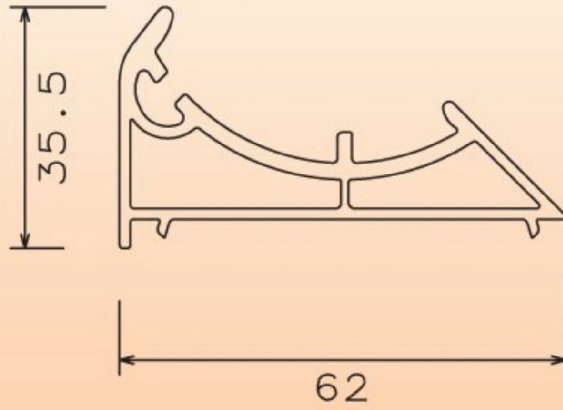
EGE series and KARYA series may be combined

(60 mm)

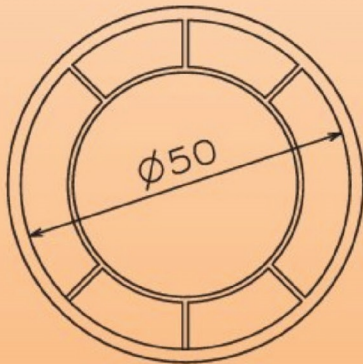


COMMON PROFILES

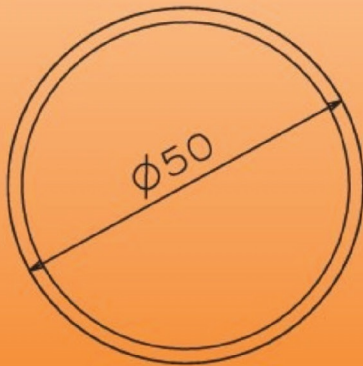
Coupling for pipe / KOD: OP 003 / 0,550 kg / 1 m (± 0,2)



Angle rotation pipe profile / KOD: OP 026 / 0,800 kg / 1 m (± 0,2)

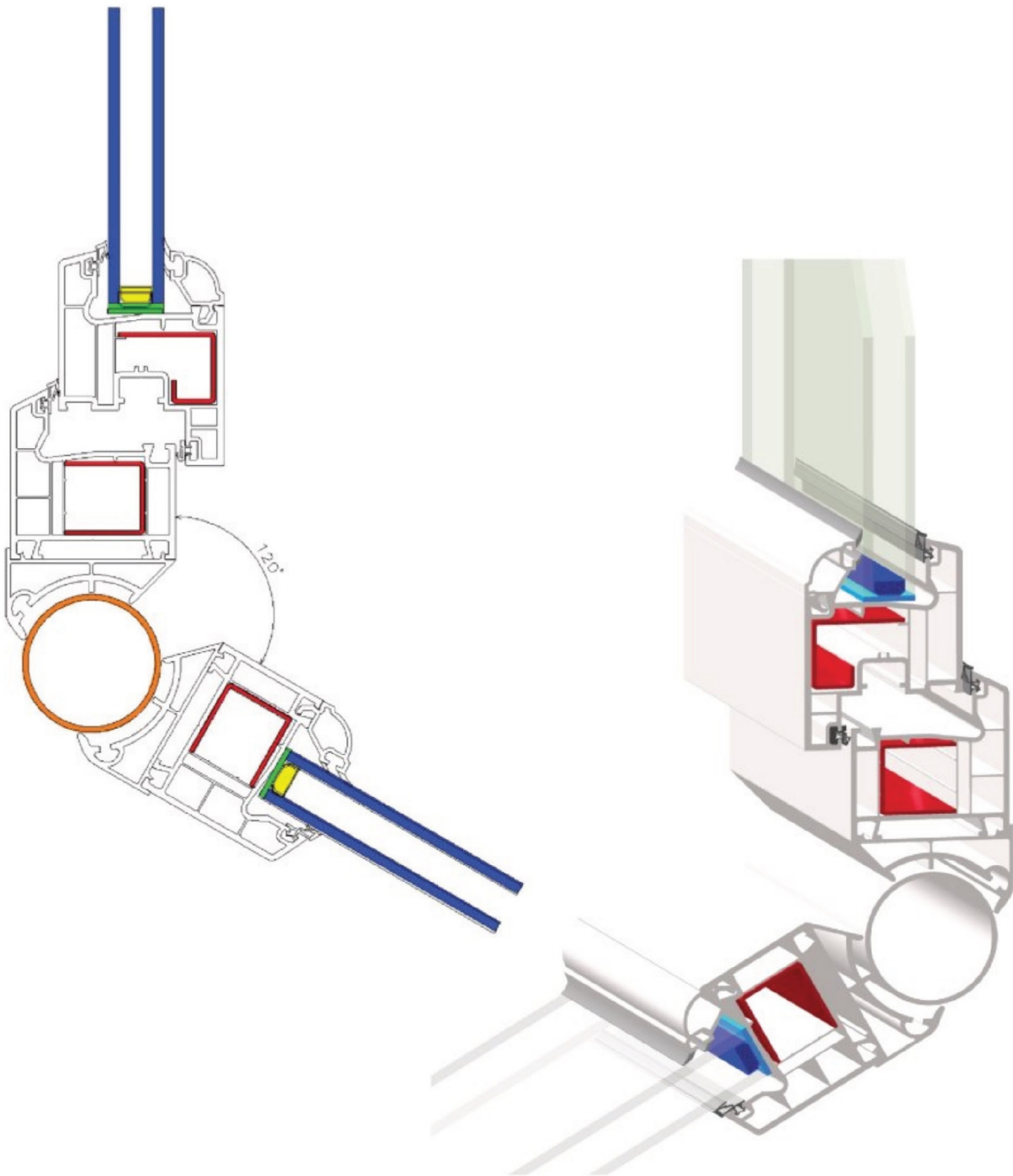


Angle rotation pipe profile / KOD: OP 007 / 0,660 kg / 1 m (± 0,2)



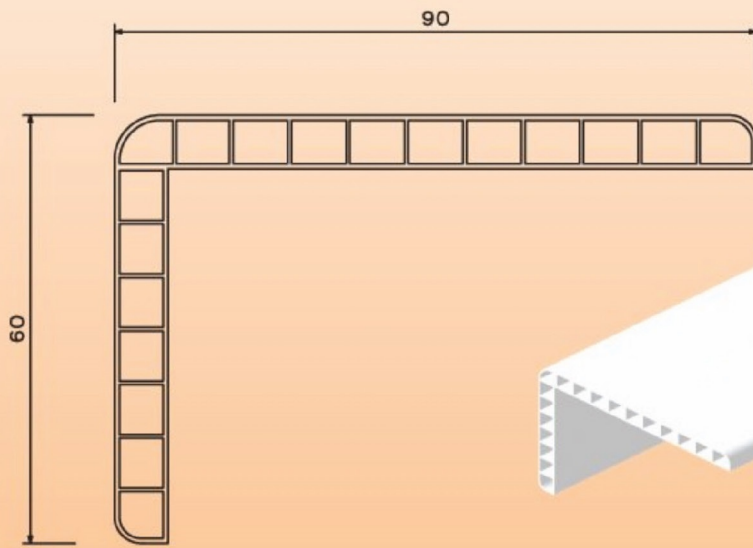
Coupling and angle rotation pipe are used together

(60 mm)

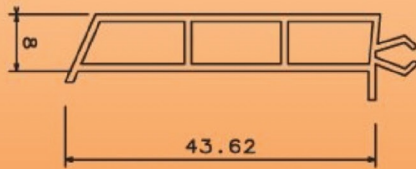


COMMON PROFILES

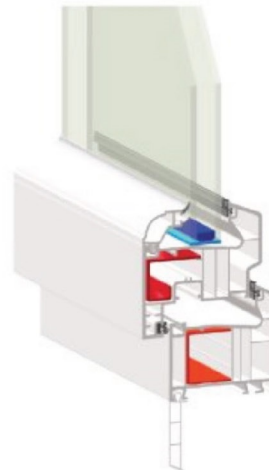
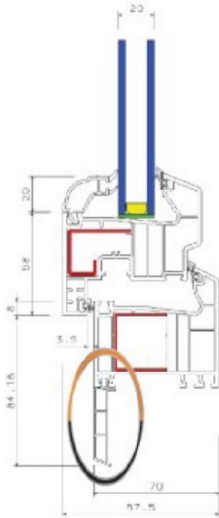
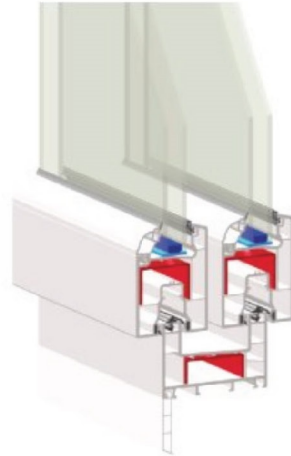
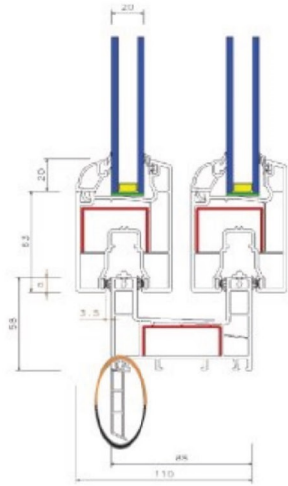
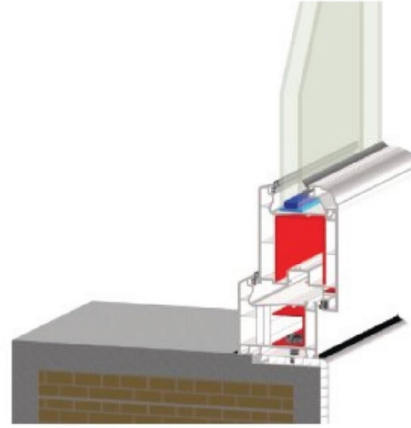
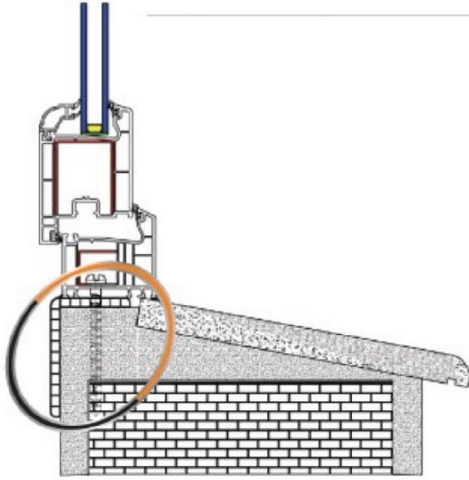
60x90 fringe profile / KOD: OP 010 / 0,900 kg / 1 m (± 0,2)



Border / OP 011 / 0,250 kg / 1 m (± 0,2)



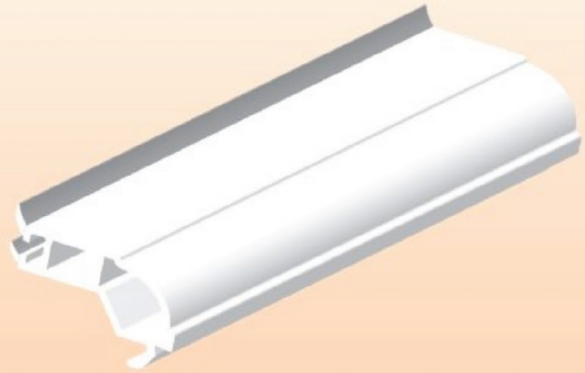
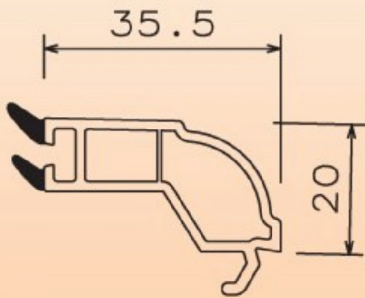
Application of fringe profile and border



COMMON PROFILES

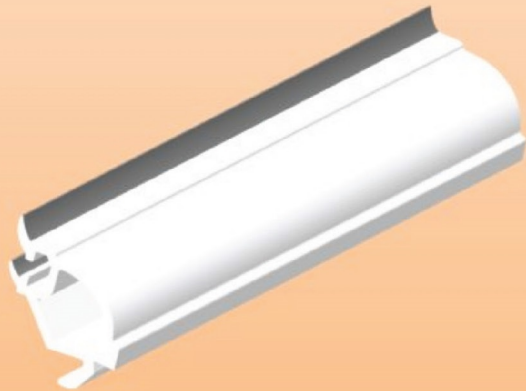
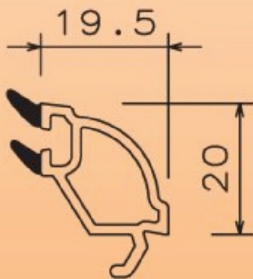
Decorative single glazing bead

KOD: OP 004
0,300 kg / 1 mt (± 0,2)



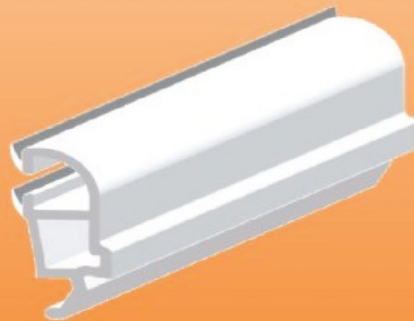
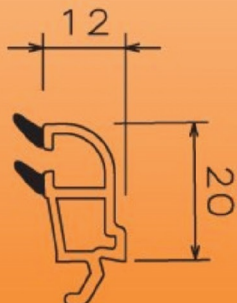
Decorative double glazing bead

KOD: OP 005
0,200 kg / 1 mt (± 0,2)



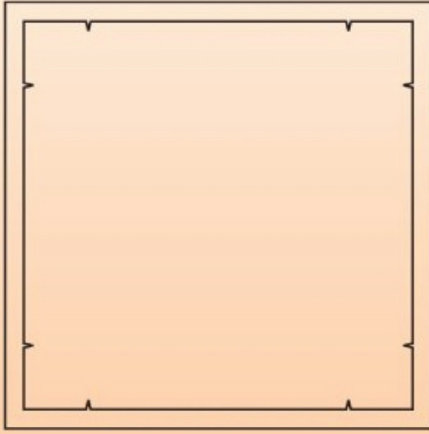
Decorative triple glazing bead

KOD: OP 006
0,150 kg / 1 mt (± 0,2)

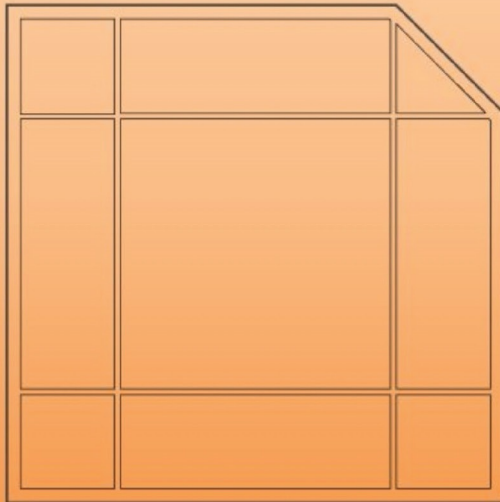


COMMON PROFILES

60 x 60 Angle rotation pipe profile
Kod: OP 002 0,700 Kg / mt (± 0,2)

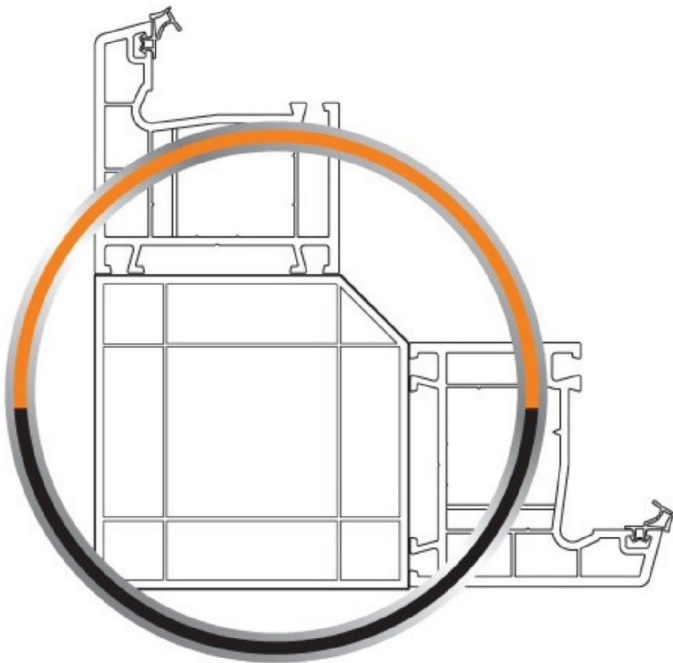


70 x 60 Angle rotation pipe profile
Kod: OP 013 1,050 Kg / mt (± 0,2)



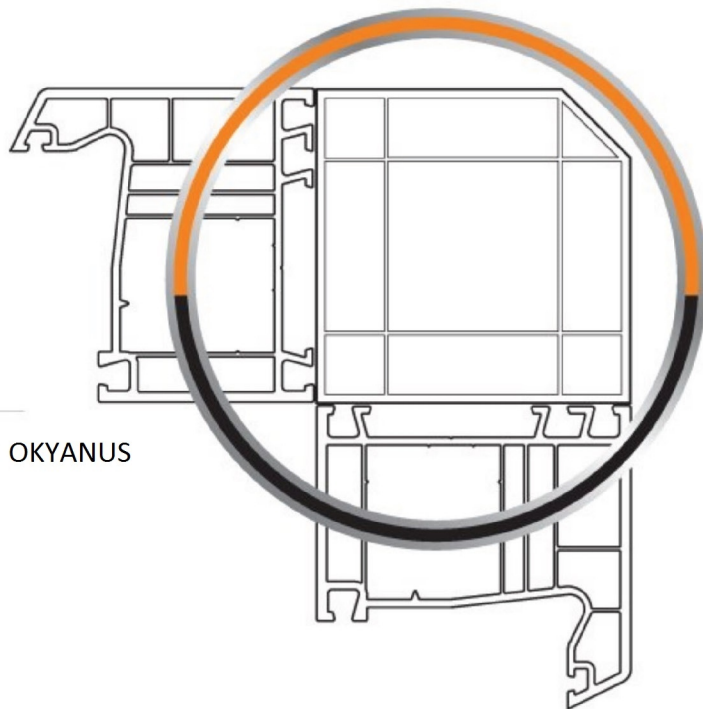
COMMON PROFILES

Application scheme for series EGE

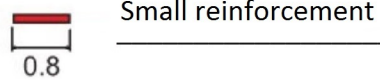
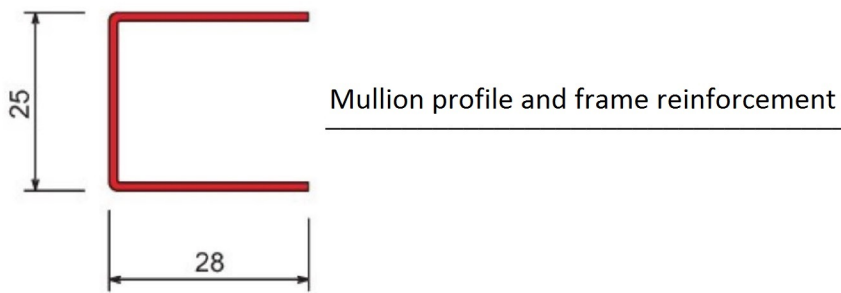
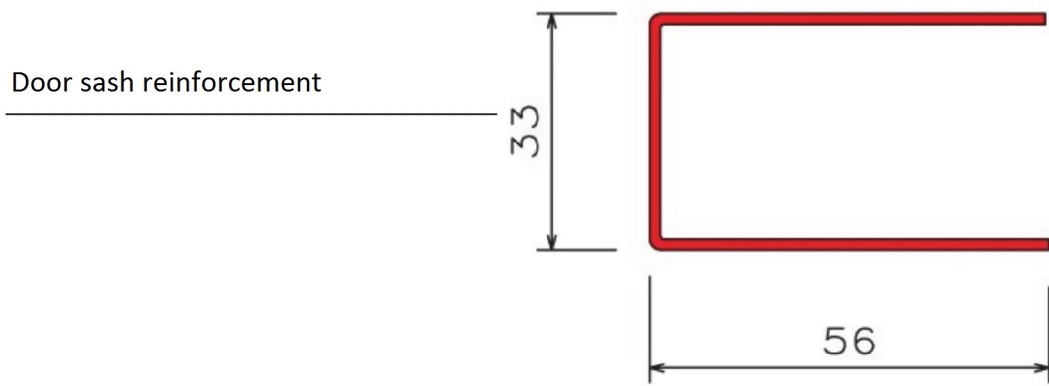
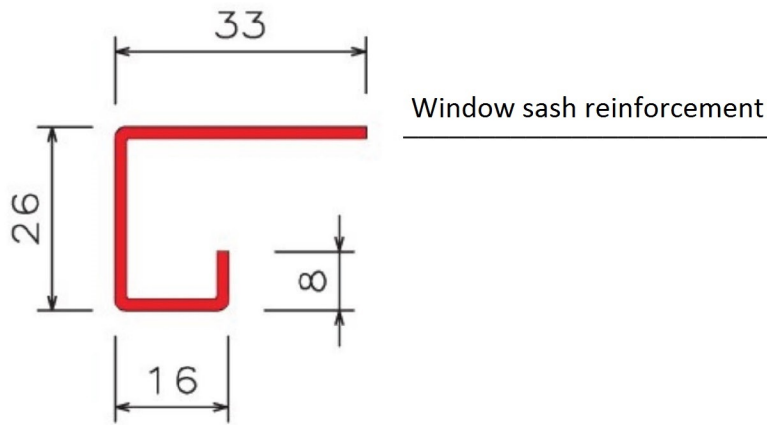


COMMON PROFILES

Application scheme for series OKYANUS



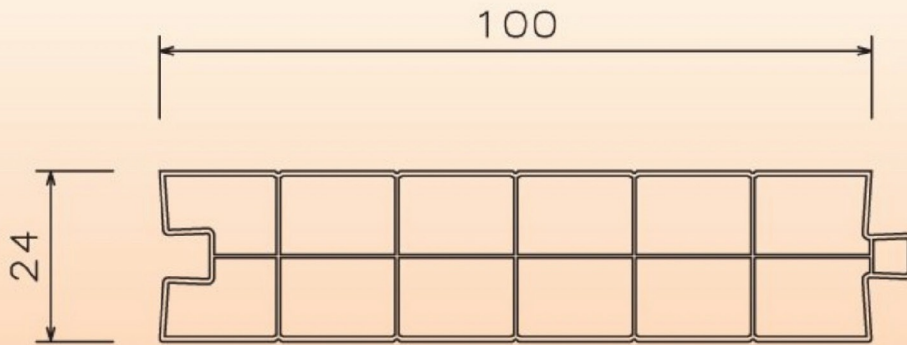
Auxiliary profiles for EGE series



AUXILIARY PROFILES

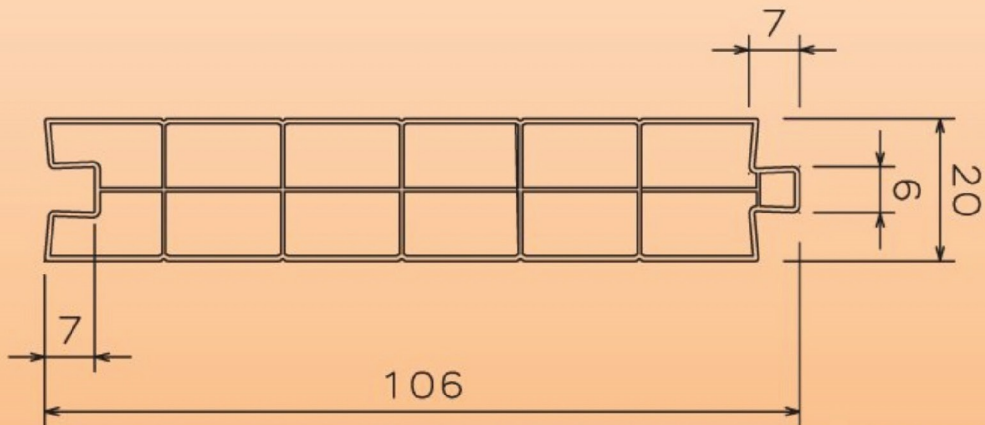
100x24 Door panel - KOD: OP 014

0,580 kg / mt (± 0,2)



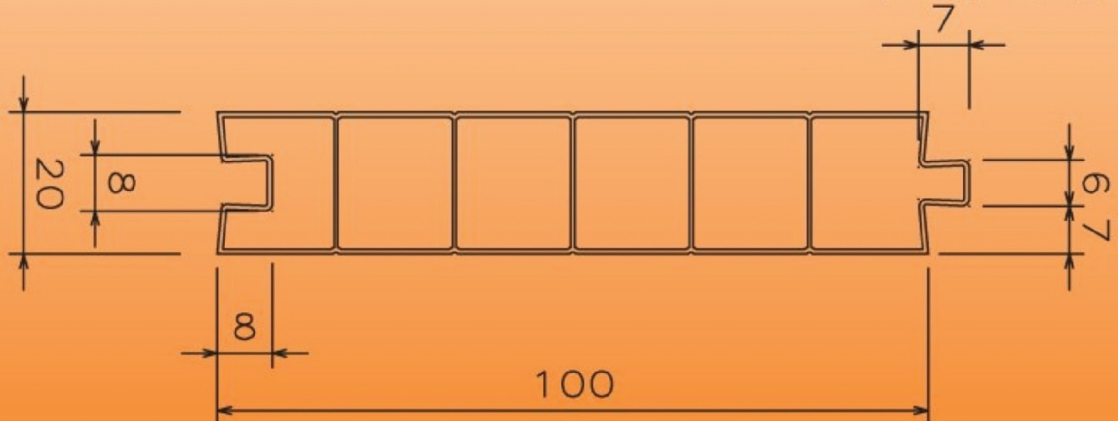
100x20 Double layered door panel - KOD: UYP 005

0,460 kg / mt (± 0,2)



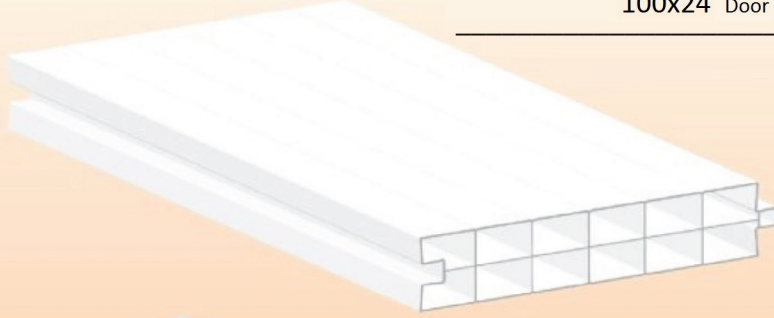
100x20 Single layered door panel - KOD: UYP 006

0,430 kg / mt (± 0,2)

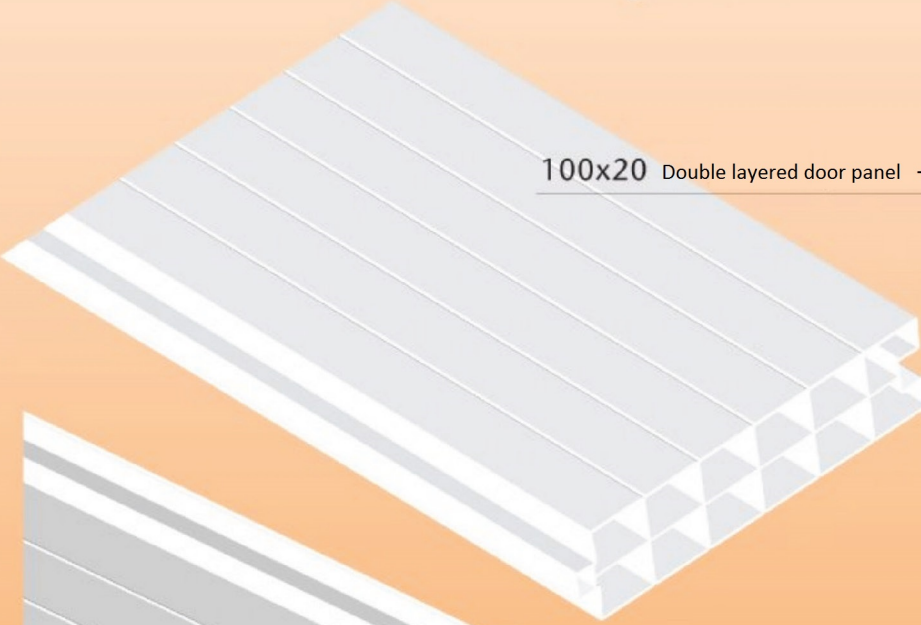


AUXILIARY PROFILES

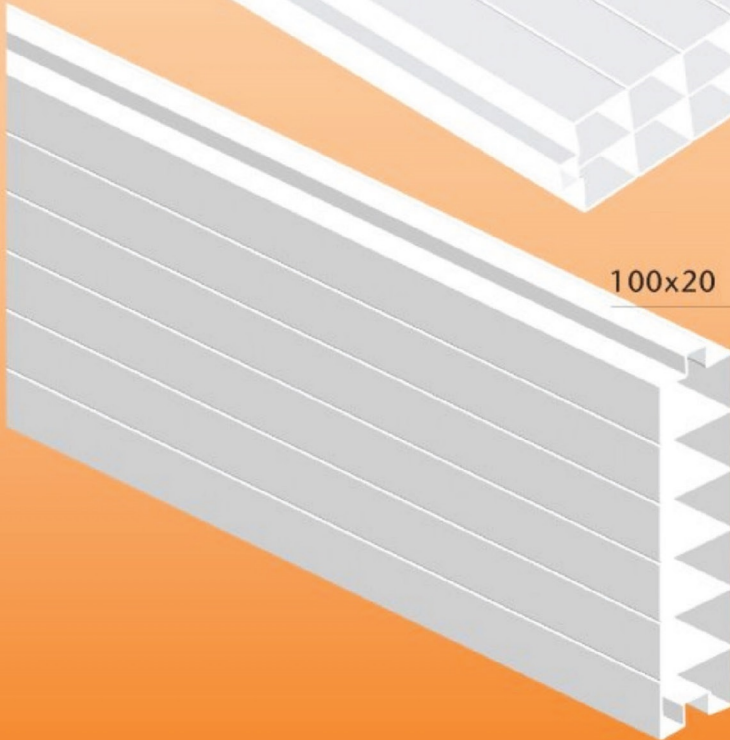
100x24 Door panel - KOD: OP 014



100x20 Double layered door panel - KOD: YUP 005

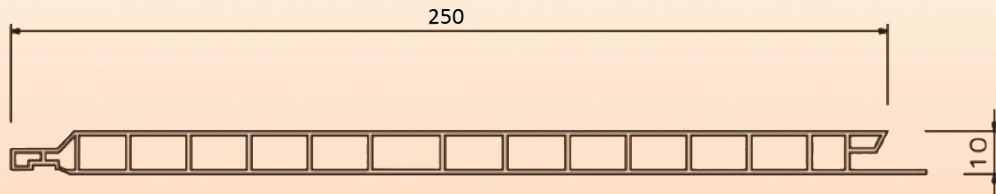


100x20 Single layered door panel - KOD: YUP 006



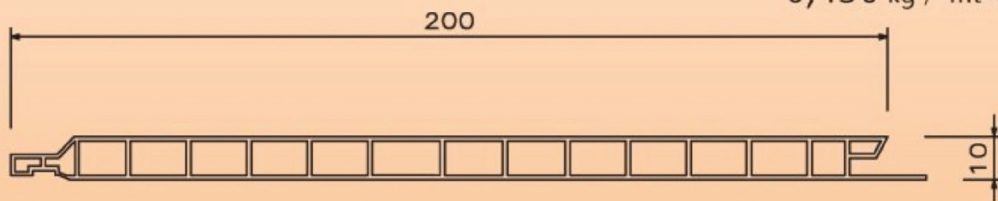
AUXILIARY PROFILES

Flat panel for walls and ceilings (250 mm) / KOD: UYP 001



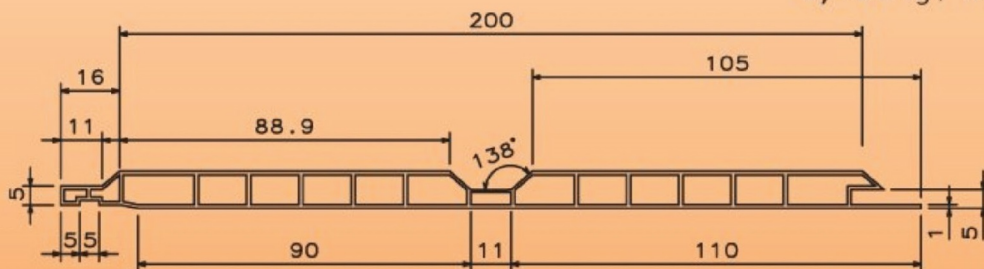
Flat panel for walls and ceilings (200 mm) / KOD: UYP 002

0,450 kg / mt (± 0,2)



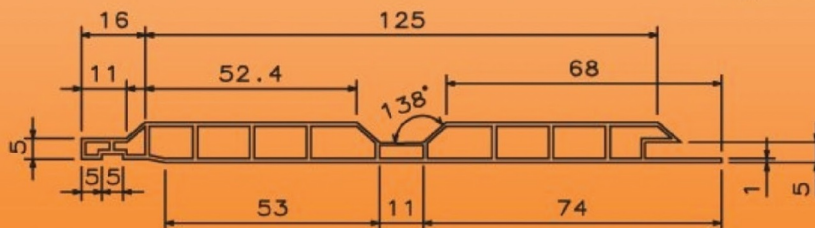
2- sectioned panel for walls and ceilings (200 mm) / KOD: UYP 003

0,460 kg / mt (± 0,2)



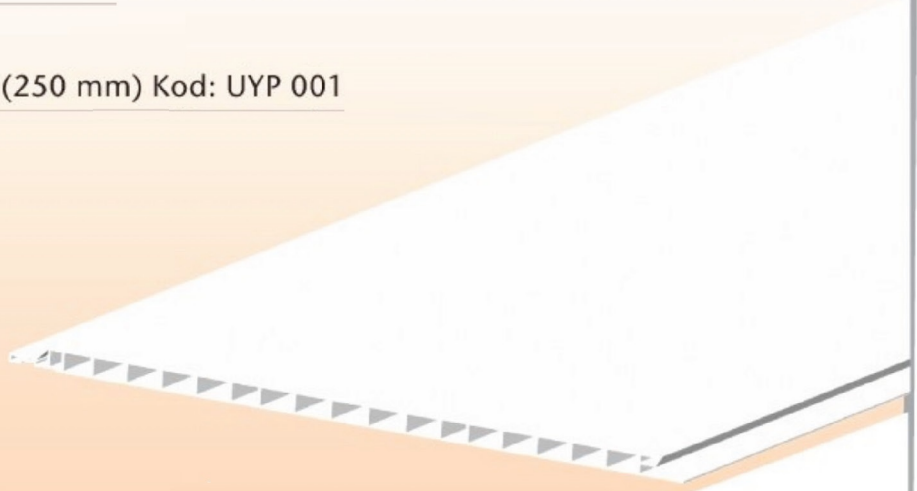
2- sectioned panel for walls and ceilings (125 mm) / KOD: OP 024

0,250 kg / mt (± 0,2)

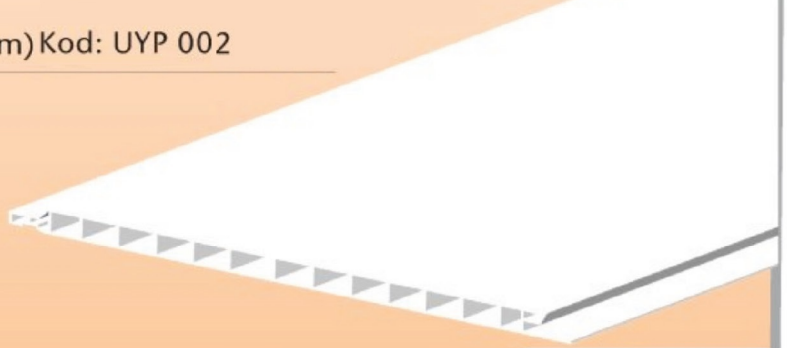


AUXILIARY PROFILES

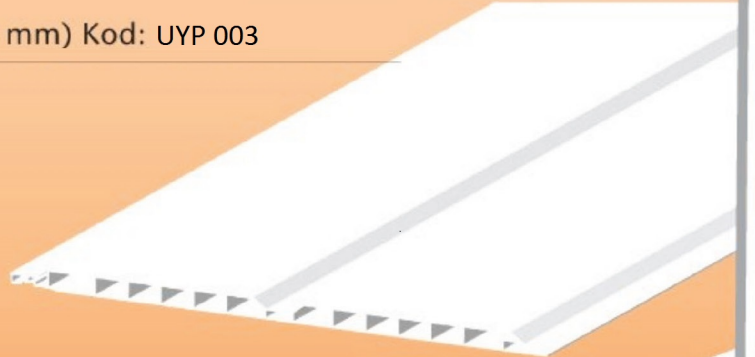
Flat panel for walls and ceilings (250 mm) Kod: UYP 001



Flat panel for walls and ceilings (200 mm) Kod: UYP 002



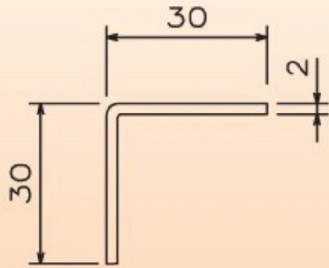
2 - sectioned panel for walls and ceilings (200 mm) Kod: UYP 003



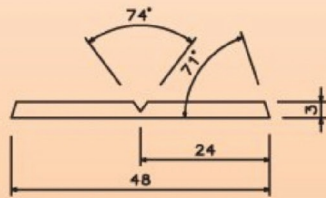
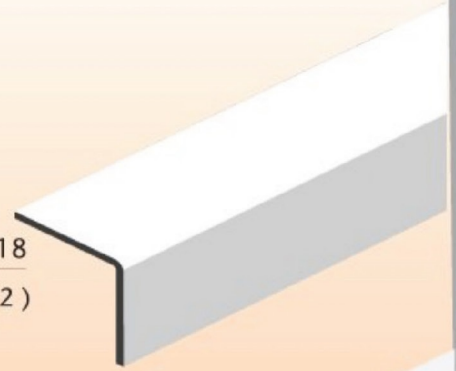
2 - sectioned panel for walls and ceilings (125 mm) Kod: OP 024



AUXILIARY PROFILES



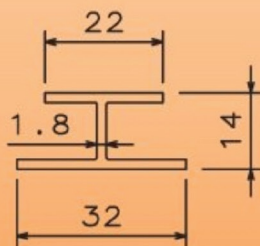
Corner / KOD: UYP 018
0,160 kg / mt (± 0,2)



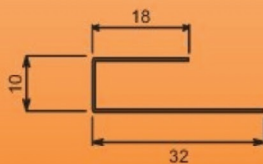
Fill band / KOD: UYP 015
0,180 kg / mt (± 0,2)



40 mm plinth / KOD: UYP 019
0,180 kg / mt (± 0,2)



H profile / KOD: UYP 017
0,160 kg / mt (± 0,2)



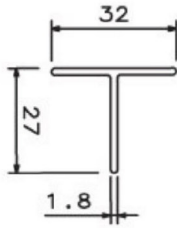
U profile / KOD: UYP 016
0,160 kg / mt (± 0,2)



AUXILIARY PROFILES

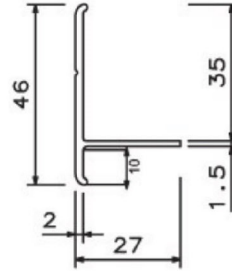
15x15 T profile / KOD: UYP 013

0,160 kg / mt (± 0,2)



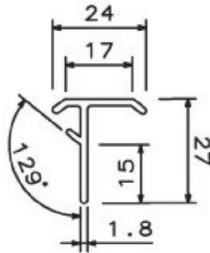
10x35 asymmetrical T / Kod: UYP 009

0,180 kg / mt (± 0,2)



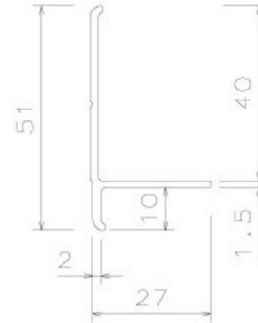
7x15 T asymmetrical with clip / KOD: UYP 12

0,160 kg / mt (± 0,2)



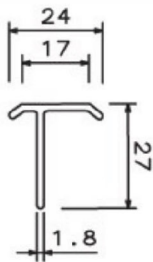
10x40 asymmetrical T / Kod: UYP 007

0,200 kg / mt (± 0,2)



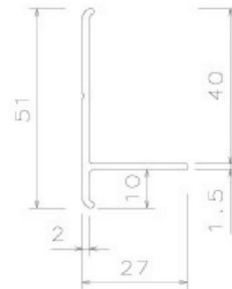
7x15 asymmetrical T / KOD: UYP 011

0,160 kg / mt (± 0,2)



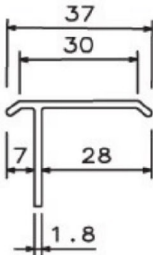
10x40 asymmetrical T / Kod: UYP 008

0,200 kg / mt (± 0,2)



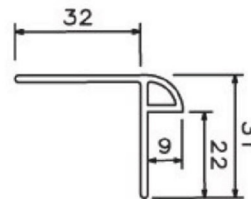
7X28 asymmetrical T / KOD: UYP 010

0,180 kg / mt (± 0,2)



7x30 T profile with curve / Kod: UYP 014

0,170 kg / mt (± 0,2)



Louvers pipe d=40mm / KOD: UYP 020

0,350 kg / mt (± 0,2)

